

Pro Range ENG56-400, ENG68-400, ENG56-600



EN: This product is only suitable for well insulated rooms or occasional use. DE: Dieses Produkt ist nur für gut isolierte Bereiche oder gelegentliche Verwendung geeignet. FR: Ce produit convient uniquement à des endroits bien isolés ou pour un usage occasionnel. IT: Questo prodotto è adatto solo per spazi ben isolati o per uso occasionale. ES: Este producto sólo es adecuado para espacios bien aislados o un uso ocasional. NL: Dit product is uitsluitend geschikt voor goed geïsoleerde ruimten of voor sporadisch gebruik. PL: Produkt ten jest odpowiedni wyłącznie do dobrze odizolowanych miejsc lub do okazjonalnego użytku. NO: Dette produktet egner seg kun for godt isolerte rom eller sporadisk bruk. RO: Acest produs este adecvat exclusiv spațiilor bine ventilate sau utilizării ocazionale. CZ: Tento výrobek je vhodný pouze do dobře izolovaných prostor nebo k příležitostnému použití. DK: Dette produkt er kun egnet til velisolerede rum eller lejlighedsvis brug. PT: Este produto somente é adequado para espaços bem isolados ou uso ocasional. SE: Denna produkt är endast avsedd för välisolerade utrymmen eller tillfällig användning. FI: Tämä tuote soveltuu ainoastaan hyvin eristettyihin tiloihin tai satunnaiseen käyttöön. SK: Tento výrobok je vhodný len pre dobre izolované priestory alebo na občasné použitie. SI: Ta izdelek je primeren le za dobro izolirane prostore ali za občasno uporabo. HR: Ovaj proizvod je pogodan samo za dobro izolirane prostore ili povremenu upotrebu. HU: Ez a termék csak jól szigetelt terekhez vagy eseti használatra alkalmas.

UK	1
DE	10
NL	20
FR	29
IT	38
ES	48

Introduction

Please read this information guide carefully to be able to safely install, use and maintain your product.

Important Safety Advice

CAUTION: FAILURE TO FOLLOW THESE INSTRUCTIONS MAY CAUSE INJURY AND/OR DAMAGE AND MAY INVALIDATE YOUR GUARANTEE

Important Safety Advice

When using electrical appliances, basic precautions should always be followed to reduce the risk of fire, electrical shock and injury to persons, including the following:

- If the appliance is damaged, check with the supplier before installation and operation.
- Do not use outdoors.
- Do not use in the immediate surroundings of a bath, shower or swimming pool.
- Do not locate the appliance immediately below a fixed socket outlet or connection box.

Warning: This heater must not be used for anything other than normal domestic household purposes in the country where it was purchased from a recognised commercial retailer.

This appliance can be used by children aged from 8 years and above and persons with reduced physical, sensory or mental capabilities or lack of experience and knowledge if they have been given supervision or instruction concerning use of the appliance in a safe way and understand the hazards involved. Children shall not play with the appliance. Cleaning and user maintenance shall not be made by Children without supervision.

Children of less than 3 years should be kept away unless continuously supervised. Children aged from 3 years and less than 8 years shall only switch on/off the appliance provided that it has been placed or installed in its intended normal operating position and they have been given supervision or instruction concerning use of the appliance in a safe way and understanding the hazards involved. Children aged from 3 years and less than 8 years shall not plug in, regulate and clean the appliance or perform user maintenance.

Warning: This appliance must be earthed.

The use of an extension lead or multi-plug adaptor is not advised when connecting this product to the mains. Connection through these devices could lead to a risk of overloading, overheating and even fire at the extension lead or adaptor due to inadequate connection quality.

This heater must be used on an ~alternating current supply (~) only and the voltage marked on the heater must correspond to the supply voltage.

Do not use this appliance in series with a thermal control, a program controller, a timer or any other device that switches on the heat automatically, since a fire risk exists when the appliance is accidentally covered or displaced.

DO NOT use the heater on deep pile carpets or the long hair type of rugs, or less than 750mm (30") away from any overhanging surface. Keep combustible materials such as drapes and other furnishings clear from the front, sides and rear of the heater. Do not use heater to dry your laundry. In the event of a fault unplug the appliance. Unplug the appliance when not required for long periods.

The appliance must be positioned so that the plug is accessible. If the supply cord is damaged it must be replaced by the manufacturer or service agent or a similarly qualified person in order to avoid a hazard. Keep the supply cord away from the front of the appliance.

Caution: Some parts of this product can become very hot and cause burns. Particular attention has to be given where children and vulnerable people are present.

Warning: In order to avoid overheating, do not cover the appliance. Do not place material or garments on the appliance, or obstruct the air circulation around the appliance, for instance by curtains or furniture, as this could cause overheating and a fire risk.

The appliance carries a DO NOT COVER warning

Warning: In order to avoid a hazard due to inadvertent resetting of the thermal cut-out, this appliance must not be supplied through an external switching device, such as a timer, or connected to a circuit that is regularly switched on and off by the utility.

General Information

Only use filtered water in this appliance.

Always ensure that the appliance is sitting on a level surface.

Although this heater complies with safety standards, we do not recommend its use on deep pile carpets or on long hair type of rugs.

Please note: Used in an environment where background noise is very low, it may be possible to hear a sound which is related to the operation of the flame effect. This is normal and should not be a cause for concern.

If this product experiences a power surge for whatever reason the product may cut-out. This is a normal safety feature and the product will resume operation after 30 seconds.

Once installed, never move this appliance or lay on its back, without draining the water from sump and water tank.

If you intend not using the appliance for longer than a week, drain the water from sump and water tank and dry the sump.

The water tank, sump, sump lid, tank cap and air filters must be cleaned once every week, particularly in hard water areas.

The appliance should never be operated if the lamps are not working.

The lamps should be regularly inspected as described under 'Maintenance' and 'Changing lamps'.

Technical Information

Model No: ENG56-400 E, ENG68-400 E, ENG56-600 E

Heat Output		230V	240V	
Nominal Heat Output	P_{Nom}	1.8	2.0	kW
Minimum Heat Output	P_{min}	0.9	1.0	kW
Maximum Continuous Heat Output	P_{max}	1.8	2.0	kW
Auxiliary Electricity Consumption				
In Standby Mode	P_{Nom}	0.45	0.48	W

electronic room temperature control plus week timer

Installation Instructions

This section describes how to set up your fire.

BEFORE YOU START

1. Ensure that all packing items are removed (read any warning labels carefully) and retain all packing for possible future use e.g. in the event of moving house or returning the appliance to your supplier.
2. Before connecting the appliance, check that the supply voltage is the same as that stated on the heater.

Installation into a Fireplace Mantle

1. When installing this appliance into a fireplace mantle please ensure that you choose a mantle suitable for your appliance (Fig 18). There is to be an air vent at the front of the fireplace mantle of at least 88cm². It is essential to ensure that air can circulate into the appliance – otherwise the Opti-myst flame effect will not operate correctly. This pathway for air must not be obstructed
2. Remove the 4 spacing brackets on the front of the appliance (Fig 19)

3. Slide the appliance into the fireplace mantle fully from the back ensuring that it is sitting in the center of the mantle. Using suitable screws (not supplied) screw fix the appliance in place (Fig 20)
4. Be sure to position the fireplace within 1m of a power outlet (Fig 21)

Installation into a wall or recess cavity

1. Note the product dimensions in Fig 1 and build a suitable structure for the appliance to fit into within 1m of a power outlet (Fig 22). Using suitable screws (not supplied) screw fix the appliance in place
2. Note the venting slots in the appliance. There are located at the front base and under the appliance
3. Build the wall up against the appliance using the spacing brackets as a guide.
4. There is to be an air vent at the front of the structure of at least 88cm². It is essential to ensure that air can circulate into the appliance – otherwise the Opti-myst flame effect will not operate correctly. This pathway for air must not be obstructed. For examples of air vents in a wall or recess cavity see Fig 23

Connecting the Transducer Unit + Lamps

1. Release the two red tabs by turning them by 90 degrees (Fig 2)
2. Lift out the Sump Nozzle (Fig 3)
3. Insert lamps into lamp holders (Fig 4), carefully locating the pins into the holes (Fig 4a)
4. Push lamps firmly into place
5. Place the Transducer Unit into the sump and join the cable to the connector on the sump (Fig 5)
6. To ensure that the Transducer Unit is correctly placed in the sump, the tab on the Transducer Unit should be lined up with the moulded recess in the sump (Fig 5a).
7. Ensure that the cable is not placed above the disc on the Transducer Unit (Fig 5b). To prevent the cable becoming pinched between the nozzle and the sump, place the cable in the slot in the wall of the sump.
8. Replace the Sump Nozzle and secure it by turning the two red tabs by 90 degrees (Fig 6)

Filling the Water Tank

9. Place Water Tank in sink and remove cap (turn anti-clockwise to open) (Fig 7)
10. Fill Water Tank with filtered tap water only. This is necessary to prolong the life of the flame and smoke producing unit. The water should be filtered through a conventional domestic water filter unit and the filter should be replaced regularly. Distilled water must not be used.
11. Screw the cap back on – do not overtighten.
12. Place the Water Tank in the Sump, with the tank cap facing down and the flat side of the tank facing outward (Fig 8)

Assembling the fire

13. Place the Fuelbed on top of the Water Tank and Mist Nozzle (Fig 9)

Operating the Product

WARNING: FAILURE TO FOLLOW THESE OPERATING INSTRUCTIONS MAY RESULT IN INJURY AND/OR DAMAGE.


Manual Controls

The Opti-myst Manual controls are located on the base of the appliance.

(See Fig. 10 for Manual Control layout)

Switch 'A':- Controls the electricity supply to the Fire.

Note: This switch must be in the 'ON' (I) position for the Fire to operate with or without heat when activated.


Switch 'B':- Press  once to turn on the flame effect. This will be indicated by an audible "beep". Although the main lights operate immediately it will take a further 45 seconds before the flame effect starts.

Press  to put fire into standby mode. This will be indicated by one "beep".

Remote Control

The remote control is packed with 2 AA batteries in a bag. Lift off the battery cover on the back of the remote control and insert the batteries taking note of the polarity.

The remote control has already been paired to your product during factory assembly. In the unlikely event that the remote control disconnects from the product, or you obtain a spare remote control, you will need to complete the pairing process:

1. With the product plugged in press switch A to the ON (I) position. You should hear an audible beep
2. Press and hold 'Button 6' until PAIR appears on the display
3. Bring the remote control close to the product where the receiver is . See Fig 17
4. The product will start to beep and blink
5. Press 'Button 6' to complete the pairing process. The product will go into standby mode.


Switching on the appliance

Press and hold the ENTER button for 3 seconds to activate the remote control. FIRE will be displayed and ON will be blinking. Press ENTER to switch ON the appliance. The lamps light up and the flame effect sets in after approx. 45 seconds.

Adjust the Flame Setting


With the remote control activated. FIRE will be displayed and OFF flashes on the display. Press UP button until FIRE symbol flashes. Press ENTER. The current flame setting will be displayed F1-F6. Press the UP and DOWN buttons to adjust the setting, product beep once selection is been made. After you have selected your flame setting press BACK to exit the menu and return to the home screen.

Select the Heater Setting

You have the option of setting the heating high (HI), low (LO) or completely interrupting heating (OFF). Connect the remote control to the device if you have not already done so. Use the UP and DOWN buttons to navigate to the symbol  flashes. Press the ENTER key 21°C is displayed on the screen and OFF flashes, heating starts. Then press and hold the ADV button until HI/LO or OFF appears (the respective default setting flashes). Use UP and DOWN buttons to select the setting you want. Confirm your setting with the ENTER key. The screen goes back and 21°C is displayed OFF flashes. If you now confirm OFF with the enter key, the heating switches off and the screen goes back to the home screen.

NOTE: With the OFF setting, heating is completely switched off and cannot be started using the hand setting. If heating is required, we recommend the setting LO or HI.

Setting the Thermostat

With the remote control activated. Navigate with the up / down buttons to the hand symbol . The hand symbol flashes. Press the ENTER key 21°C appears and the heating starts, OFF flashes. However, this only applies if the presetting LO or HI has been made before. The heating operation runs until the room temperature of 21°C is reached. With the up / down buttons you can adjust your desired temperature if necessary. If you choose to switch off the heating operation you can interrupt the heating by pressing ENTER button while OFF flashing. The program then goes back to home screen.


Thermal Safety Cut-out

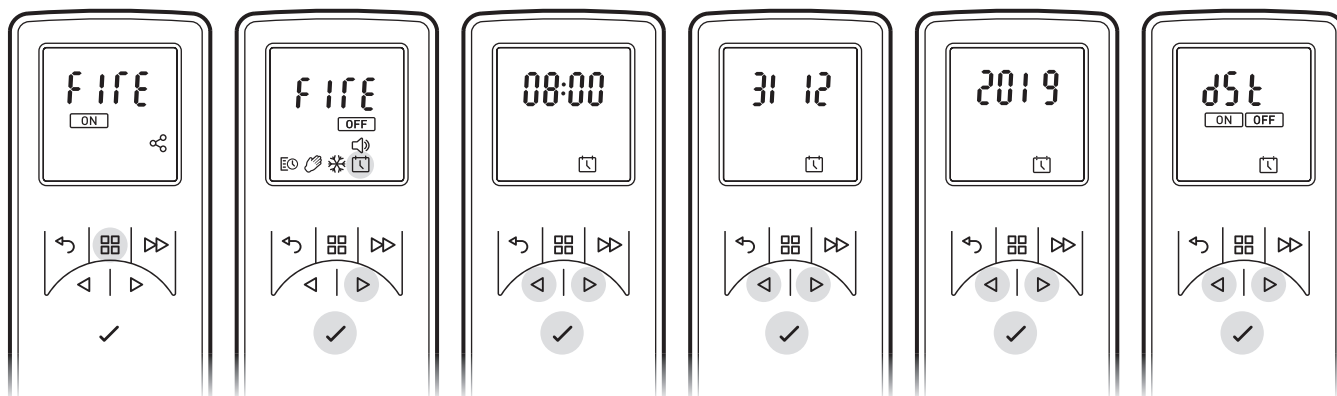
A thermal safety cut-out is incorporated in the fan heater to prevent damage due to overheating. This can happen if the heat outlet was restricted in any way. If the cut-out operates, unplug the heater from the socket outlet and allow approximately 10 minutes before reconnecting. Before switching the heater back on remove any obstruction that may be restricting the heat outlet, then continue normal operation.

CAUTION: In order to avoid a hazard due to inadvertent resetting of the thermal cutout, this appliance must not be supplied through an external switching device, such as a timer, or connected to a switch that is regularly switched on and off by the utility.


Setting the Date and Time

To set the date and time on the heater; with the remote control activated navigate UP/DOWN button to Date & Time icon 


1. Press Enter when the  is blinking
2. Press < and > to set the Hour, press Enter
3. Press < and > to set the Minutes, press Enter to confirm the time
4. Press < and > to set the Day, press Enter
5. Press < and > to set the Month, press Enter
6. Press < and > to set the Year, press Enter to confirm the year
7. Press < and > to select ON/OFF for the Daylight saving time, press Enter to confirm and returns to home screen.



Modes of Remote Operation


User Timer : Provides greatest flexibility to the user. Four times slots are available throughout the day and these can be customised for each day of the week. See “How to adjust the timer modes” for instructions on adjusting these from the factory default time periods & temperatures.

Manual Mode : This mode heats the room to the temperature you have set the remote control to.

Frost Protection : This mode will maintain a room temperature to 7°C. This mode should be used to provide protection against frost as indicated by the frost icon.

Choosing and Setting a User timer Mode

User Timer - To re-programme the factory default Timer Modes: with the remote control activated, navigate UP/DOWN button to user timer

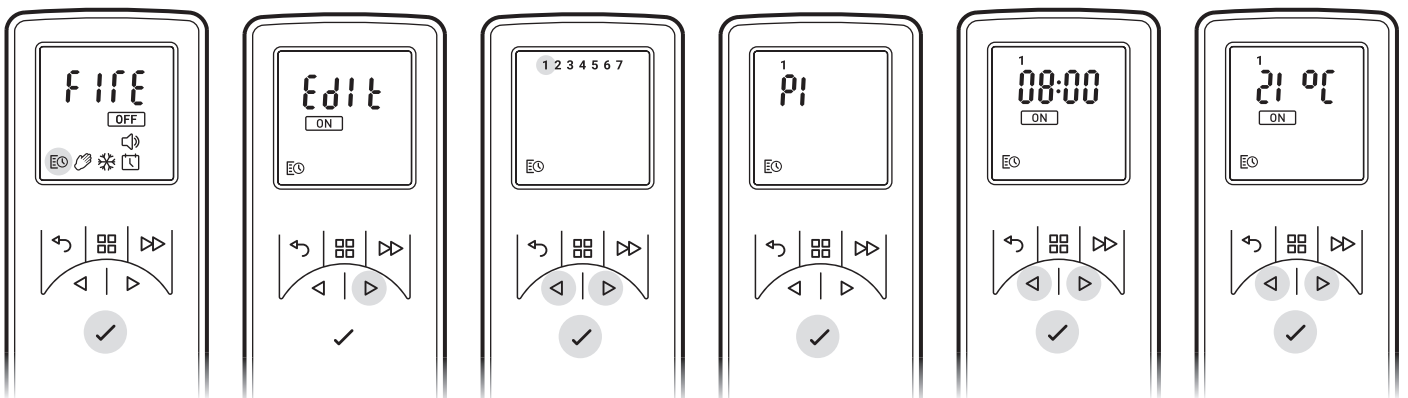
1. Press Enter when  is blinking
2. Press > Once EDIT icon blinks then press Enter
Days of the weeks are now displayed at the top of the screen
Day 1 = Monday
Day 2 = Tuesday
Day 3 = Wednesday
Day 4 = Thursday
Day 5 = Friday
Day 6 = Saturday
Day 7 = Sunday
4. Press > to navigate to the desired day and Press Enter to Select
5. P1 will be displayed on screen
6. Press Enter to select P1, or to navigate to P2, P3 or P4 press > and press Enter to select
7. ON will be displayed
8. Press < or > to adjust the ON Hour time, press Enter to Confirm
9. Press < or > to adjust the ON Minute time, press Enter to Confirm
10. Press < or > to adjust the Temperature setting, press Enter to Confirm
11. OFF will be displayed
12. Press < or > to adjust the OFF Hour time, press Enter to Confirm
13. Press < or > to adjust the OFF Minute time, press Enter to Confirm

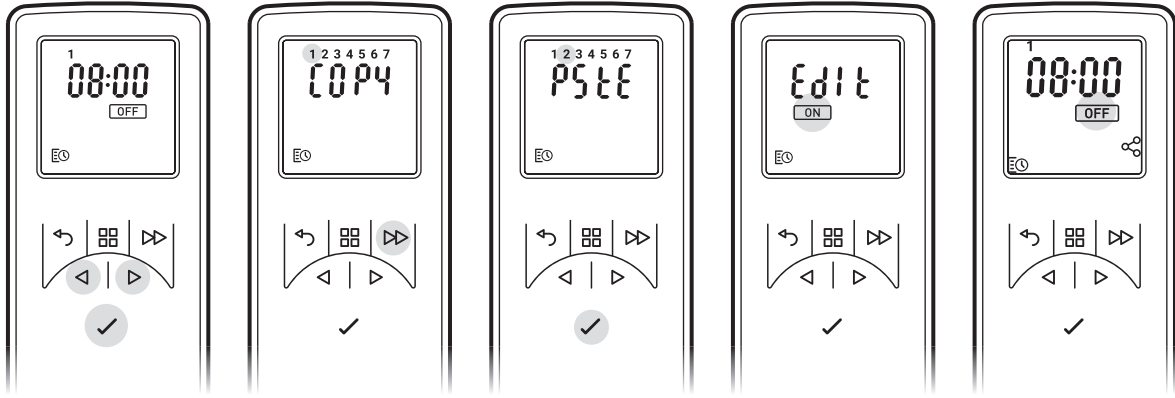
Press Enter to modify Programme P2, follow steps 5-12, Press > to skip to P3
Press Enter to modify Programme P3, follow steps 5-12, Press > to Skip to P4
Press Enter to modify Programme P4, follow steps 5-12

To copy newly programmed P1-P4 heating programmes to other days, press and hold ADV button COPY will be displayed then navigate UP/DOWN buttons to other days, while the day flashing press and hold ENTER button to paste, PASTE will be displayed to confirm the setting.

Press BACK button user timer screen is displayed, navigate UP/DOWN button to flash ON and press ENTER to confirm the user timer setting. During this setting product will turn off and turn on for the time you selected.

To turn of the User timer, activate the remote control, OFF flashes. Press ENTER to confirm.



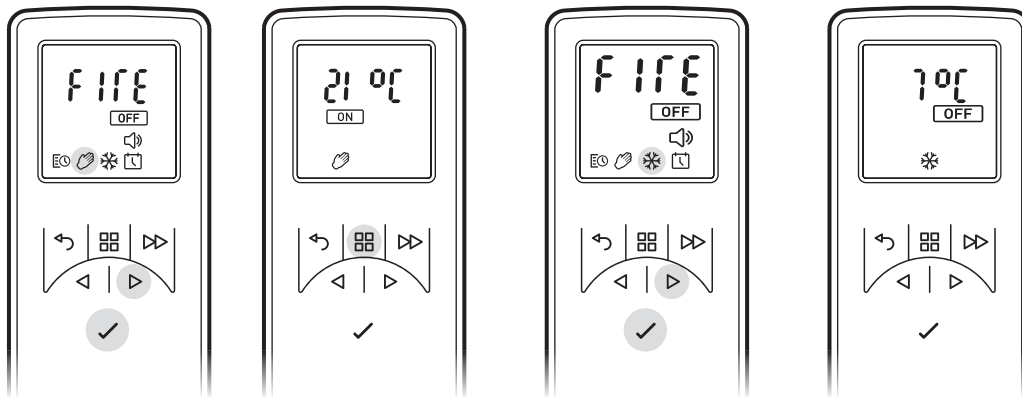


Manual Mode - To choose a constant heat mode. This mode ignores the User Timer and maintains the displayed temperature.

- Press Menu Button
- Press < or > to highlight the Hand icon
- Press Enter to Confirm
- Use < and > to adjust to the desired temperature

Frost protect - Frost protect mode maintains a room temperature of 7°C throughout a 24 hour period. This mode should be used to provide protection against frost as indicated by the Frost icon.

- Press the Menu button
- Press < or > to highlight the snowflake icon
- Press Enter to confirm
- Press < or > to exit this mode and enter manual mode.



Getting the Desired Flame Effect

1. With the remote control activated, OFF on the display will be flashing, navigate UP button to flash FIRE and press ENTER. The current setting will be displayed. Press < or > to toggle between F1 and F6. F1 being the lowest setting and F6 being the highest setting.
2. Generally the flames appear more realistic when the flame control is turned down.
3. Give the flame generator time to react to changes you may make.
4. The fire will use less water if the flame effect is set to a lower level.
5. Do not tilt or move the fire while there is water in the tank or sump.
6. Make sure that the fire is on a level floor.

Customising the display

The maximum temperature set point on the product is 30°C You have the option to reduce this set point. You can also change °C to °F

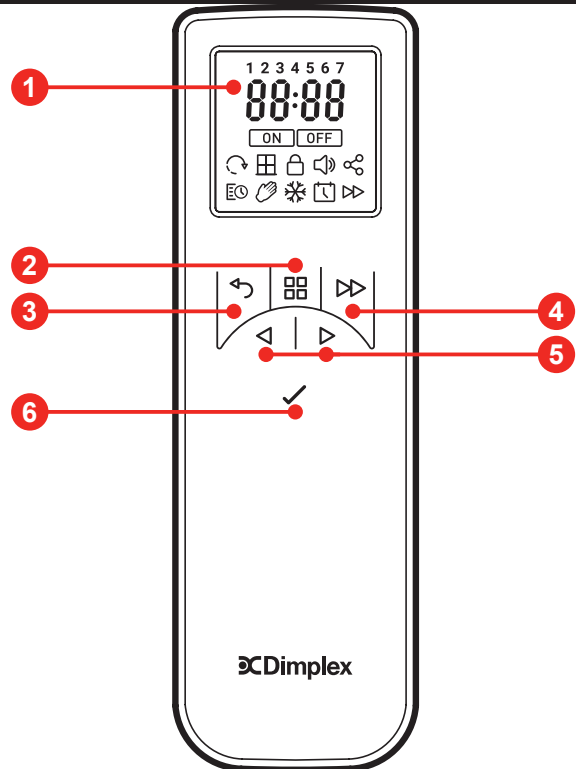
1. Press the Menu button.
2. Press < or > to navigate to symbol flashes.
3. Press Enter to confirm.
4. Press and hold MENU button until °C and °F. displayed
5. Press < or > to select between °C and °F. Press ENTER to confirm.
6. Press < or > to choose your maximum temperature set point.
7. Press BACK button to return to the home screen.

Adaptive Start

The built-in electronics in this appliance have a learning function with regards to how long it takes to heat up a room. Having learnt how quickly it can heat up your room, the appliance is able to turn on at just the right time in order to get the room up to a comfortable temperature when you want it. For example, if you get up at 7am, you would normally have to guess when to turn the heating on in order for it to pre-heat the room in time. Depending on how cold it is outside, this could mean the room is still cold when you have to get out of bed, or mean that its been warm for half an hour before it needed to be. Adaptive Start means that if you select 21°C at 7am, the heater will turn on exactly when it needs to in order to meet this target, running for shorter periods of time when the weather is mild, and ensuring the room is nice and warm in the winter. The Adaptive Start function will automatically activate when you use the Timer Mode.

Remote Control

- 1 Display Screen
- 2 'Menu' Button
- 3 'Back' Button
- 4 'Advance' Button
- 5 'Up and Down' Arrows
- 6 'Enter' Button



Maintenance

GENERAL TIPS

Only use filtered tap water in this appliance.

Always ensure that the appliance is sitting on a level surface.

If you intend not using the appliance for longer than a week, remove and empty the sump and water tank.

Once installed, never move this appliance or lay on its back, without draining the water from sump and water tank.

The appliance should never be operated if the lamps are not working.

The lamps should be regularly inspected as described under 'Changing lamps'.

FILLING THE WATER TANK

When the water tank is empty, the flame and smoke effect shuts off and you will hear 2 audible beeps, follow these steps.

1. Press Switch 'A' to (0) (Fig. 10)
2. Gently lift out the fuelbed and carefully set aside.
3. Remove the water tank by lifting upwards and outwards.
4. Place the water tank in sink and remove cap, Anti-clockwise to open. (Fig. 7)
5. Fill tank with filtered tap water only. This is necessary to prolong the life of the flame and smoke producing unit.
The water should be filtered through a conventional domestic water filter unit and the filter should be replaced regularly.
6. Screw the cap back on, do not over tighten.
7. Return the tank to the sump, with the tank cap facing down and the flat side of the tank facing outward. (Fig. 8)
8. Gently place the fuelbed back into position. (Fig. 9)
9. Press Switch 'A' to 'ON' (I) position (Fig. 10)

CHANGING LAMPS

If the flame and smoke effect appears grey or colourless it may be that one or more lamps have failed.

You can check for lamp failure as follows.

1. Leaving the flame effect on, lift out the fuelbed and water tank.
2. It should be possible to view the lamps with the nozzle in place and observe which one needs to be changed.

3. Put Switch 'A' in the 'OFF' position, and unplug the fire from the mains.
4. Leave the appliance for 20 minutes to allow the lamps to cool down before removing them.
5. Remove the sump as described in the Cleaning Section.
6. Remove the defective lamp, by gently lifting vertically and disengaging the pins from the lamp holder, (Fig. 4 and 4a).
Replace with an OPTIMYST, 12V, 45W, Gu5.3 base, 8° beam angle, coloured lamp. (Purchased from our your supplier)
7. Carefully insert the two pins of the new lamp into the two holes in the lamp holder. Push firmly in place. (Fig. 4 and 4a).
8. Replace the sump, nozzle, water tank and fuelbed.

CLEANING

Warning – Always press Switch 'A' to the 'OFF' (0) position (Fig. 10) and disconnect from the power supply before cleaning the fire.

We recommend cleaning the following components once every week, particularly in hard water areas:-

Water Tank, Sump, Nozzle, Tank cap and seal, Air filter.

For general cleaning use a soft clean duster – never use abrasive cleaners.

To remove any accumulation of dust or fluff the soft brush attachment of a vacuum cleaner should occasionally be used to clean the outlet grille of the fan heater.

Water tank

1. Remove water tank, as described earlier, put into sink and empty water.
2. Using the supplied brush gently rub the inside surfaces of the cap paying particular attention to the rubber ring in the outer groove and the centre rubber seal.
3. Put a small quantity of washing up liquid into the tank, refit the cap and shake well, rinse out until all traces of washing up liquid are gone.
4. Refill with filtered tap water only, replace the cap, do not overtighten.

Sump

1. Press Switch 'A' to the 'OFF' (0) position
2. Gently lift out the fuelbed and place carefully on the ground.
3. Remove the water tank by lifting upwards.
4. Disconnect the electrical connector, located on the right side of the sump. (Fig. 5) .
5. Release the right sump locking tabs by turning 90°. This allows the sump to be lifted completely from its location. (Fig. 11)
6. Gently lift up the sump, taking care to keep level so as not to spill any water. Sit the assembly in the sink.
7. Release the left sump locking tabs by turning 90°, then lift off the Nozzle. (Fig. 3)
8. Lift out the transducer and carefully tilt, as shown, so that the liquid drains out of the sump. (Fig. 13)
9. Put a small amount of washing up liquid into the sump, and using the supplied brush, gently clean all surfaces in the sump and gently clean the transducer including the metal discs located in the top grooved surface. (Fig. 14)
10. When cleaned, thoroughly rinse the sump with clean water to remove all traces of washing up liquid.
11. Clean the Nozzle with the brush and flush out thoroughly with water. (Fig. 15)
12. Reverse the above steps to reassemble.

Air filter

1. Gently lift out the fuelbed and place carefully on the ground.
2. Gently slide the air filter upwards out of its plastic holder. (Fig. 16)
3. Gently rinse with water in the sink and dry with fabric towel before returning.
4. Replace the filter making sure that the coarse black filter is facing the front of the fire.
5. Replace the fuelbed.

Additional Information

AFTER SALES SERVICE

Your product is guaranteed for two years from the date of purchase. Within this period, we undertake to repair or exchange this product free of charge (excluding lamps & subject to availability) provided it has been installed and operated in accordance with these instructions. Your rights under this guarantee are additional to your statutory rights, which in turn are not affected by this guarantee.

RECYCLING



For electrical products sold within the European Community - At the end of the electrical products useful life it not be disposed of with household waste. Please recycle where facilities exist. Check with your Local Authority or retailer for recycling advice in your country.

PATENT / PATENT APPLICATION

Products within the Optimyst range are protected by one or more of the following patents and patent applications:

Great Britain GB 2402206, GB 2460259, GB 2460453, GB 2418014, GB 2465738, GB 2449925, GB 2465537, GB 2455277, GB1020534.2, GB1020537.5, GB1110987.3

United States US 7967690, US 2010299980, US 2011062250, US 2008028648, US 13/167,042

Russia RU2008140317

European EP 2029941, EP 2201301, EP 2315976, EP 1787063, EP07723217.1, EP11170434.2, EP 11170435.9

China CN 101883953, CN 200980128666.2, CN 101057105, CN 101438104

Australia AU 2009248743, AU 2007224634

Canada CA 2725214, CA 2579444, CA 2645939

International Patent Application WO 2006027272

South Africa ZA 200808702

Mexico MX 2008011712

Korea KR 20080113235

Japan JP 2009529649

Brazil BR P10708894-9

India IN 4122/KOLNP/2008

New Zealand NZ 571900

Troubleshooting

Symptom	Cause	Corrective Action
The flame effect will not start.	Mains plug is not plugged in. Low water level. Low voltage connector not connected properly. (Fig. 5) The Transducer Unit is not sitting correctly in the sump	Check plug is connected to wall socket correctly. Check that the water tank is full and there is water in the sump. Check that the connector is inserted correctly. (Fig. 5) Ensure the Transducer is sitting down into the moulded recess in the sump
The flame effect is too low.	Flame effect knob is set too low. (Fig. 10) The Metal Disc in the transducer might be dirty (Fig. 14) The wire from the Transducer Unit is sitting over the metal disc	Increase level of flame by using Remote Control (See Section for Operating the Product) Clean the Metal Disc with soft brush supplied. (Fig. 14) See 'Maintenance.' for a step by step procedure. Direct the wire to the back of the sump and make sure it sits into the side slot exiting the sump.
Unpleasant smell when unit is used.	Dirty or stale water. Using unfiltered tap water.	Clean the unit as described under maintenance. Use only filtered tap water.
The flame effect has too much smoke.	Flame effect setting is too high.	Turn the flame effect Control knob 'D' to the right, about ¼ a turn, at a time. Give the flame generator some time to adjust to the new setting. (Fig. 10)
Main lamps are not working and there are no flames or smoke.	There is no water in the water tank	Follow instructions under Maintenance, 'Filling the water tank'. Check the plug is connected to the wall socket correctly and that Switch 'A' Fig. 10 is in the 'ON' (I) position.

Einführung

Bitte lesen Sie diese Informationsbroschüre sorgfältig, damit Sie Ihr Produkt sicher installieren, benutzen und warten zu können.

Wichtige Sicherheitshinweise

VORSICHT: NICHTBEACHTUNG DIESER ANWEISUNGEN KANN ZU VERLETZUNGEN UND / ODER SCHÄDEN FÜHREN UND KANN IHRE GARANTIE UNWIRKSAM MACHEN

Wichtige Sicherheitshinweise

Bei der Benutzung von elektrischen Anwendungen sollten stets grundlegende Sicherheitsmaßnahmen befolgt werden, um das Risiko für Feuer, Stromschlag oder die Verletzung von Personen einschließlich Folgendem zu vermeiden:

- Ist das Gerät beschädigt, sprechen Sie mit dem Zulieferer vor der Installation und Inbetriebnahme.
- Nicht draußen benutzen.
- Nicht in der unmittelbaren Nähe eines Bades, einer Dusche oder eines Schwimmbeckens benutzen.
- Stellen Sie das Gerät nicht direkt unter eine Steckdose oder eines Anschlusskastens.

Warnung: Dieses Heizgerät darf nur für den normalen Hausgebrauch in dem Land verwendet werden, in dem es von einem anerkannten Handelsunternehmen erworben wurde.

Dieses Gerät kann von Kindern ab 8 Jahren betrieben werden sowie von Personen, die verminderte körperliche, sensorische oder geistige Fähigkeiten haben oder keine Erfahrung oder Wissen haben, wenn sie die Aufsicht für den sicheren Betrieb eines Gerätes oder Anweisungen erhalten haben und die potentiellen Gefahren verstehen. Kinder dürfen nicht mit dem Gerät spielen. Die Reinigung und Wartung darf nicht von Kindern ohne Aufsicht erfolgen.

Kinder unter 3 Jahren sollten von dem Gerät ferngehalten werden, es sei denn, sie sind stets beaufsichtigt. Kinder ab 3 Jahre und weniger als 8 Jahre dürfen das Gerät nur an- und ausschalten, wenn es in seiner vorgesehenen Betriebsposition aufgestellt und installiert wurde und wenn sie die Aufsicht für den sicheren Betrieb eines Gerätes oder Anweisungen erhalten haben und die potentiellen Gefahren verstehen. Kinder ab 3 Jahren und unter 8 Jahren dürfen das Gerät nicht einstecken, regulieren oder reinigen oder Wartungsarbeiten vornehmen.

Warnung: Dieses Gerät muss geerdet sein.

Die Verwendung eines Verlängerungskabels oder eines Mehrfachsteckers wird nicht empfohlen, wenn Sie dieses Produkt an das Stromnetz anschließen. Der Anschluss durch diese Geräte kann aufgrund unzureichender Anschlussqualität zu einer Überlastung, Überhitzung und sogar zu einem Brand an der Anschlussleitung oder dem Adapter führen.

Dieses Heizgerät Diese Heizung darf nur an einer ~ Wechselstromversorgung (~) betrieben werden und die am Heizgerät markierte Spannung muss der Versorgungsspannung entsprechen.

Das Gerät nicht zu einer Wärmeregulierung, einer Programmsteuerung, einer Zeitschaltuhr oder einem anderen Gerät in Reihe schalten, mit dem die Wärmequelle automatisch geschaltet wird. Bei versehentlicher Blockierung oder Verstellung des Heizgeräts besteht Brandgefahr.

Verwenden Sie das Heizgerät NICHT auf tiefflorigen Teppichen oder Teppichen mit langen Haaren oder weniger als 750 mm (30") entfernt von überhängenden Oberflächen. Halten Sie brennbare Materialien wie Vorhänge und andere Einrichtungsgegenstände von der Vorderseite, den Seiten und der Rückseite des Heizgeräts frei. Verwenden Sie kein Heizgerät zum Trocknen Ihrer Wäsche. Sollte ein Fehler auftreten, bitte das Gerät ausstecken. Gerät ausstecken, wenn es für längere Zeit nicht benutzt wird.

Das Gerät muss so aufgestellt werden, dass der Stecker zugänglich ist. Wenn das Stromkabel beschädigt ist, muss es durch den Hersteller oder Dienstleister oder eine ähnlich qualifizierte Person ersetzt werden, um Gefahren zu vermeiden. Das Stromkabel sollte so angebracht werden, dass es die Vorderseite des Geräts nicht berührt.

Vorsicht: Einige Teile dieses Produktes können sehr heiß werden und Verbrennungen verursachen. Besondere Vorsicht ist bei der Anwesenheit von Kindern und verletzlichen Personen erforderlich.

Warnung: Um ein Überhitzen zu verhindern, darf das Gerät nicht bedeckt werden. Keine Materialien oder Textilien auf das Gerät legen oder den Luftfluss um das Gerät herum beeinträchtigen, beispielsweise durch Vorhänge oder Möbelstücke, da dies zu einer Überhitzung des Geräts führen und Brandgefahr verursachen kann.

Das Gerät trägt ein Warnetikett mit der Aufschrift: NICHT BEDECKEN

Warnung: Um Gefahren aufgrund unbeabsichtigter Zurücksetzung des Thermoauslösers zu vermeiden, darf das Gerät nicht an ein externes Schaltgerät angeschlossen werden, wie etwa ein Zeitschaltgerät oder an einen Stromkreis, der regelmäßig von der Stromversorgung an- und ausgeschaltet wird.

Allgemeine Informationen

Verwenden Sie in diesem Gerät nur gefiltertes Wasser.

Stellen Sie immer sicher, dass das Gerät auf einer ebenen Fläche steht.

Obwohl dieses Heizgerät den Sicherheitsstandards entspricht, empfehlen wir, das Gerät nicht auf Hochflor-Teppichen zu benutzen oder auf Teppichen mit langen Fasern.

Hinweis: In leisen Umgebungen ist ein hörbares Geräusch des Geräts möglich, welches vom Betrieb des Flammeffekts herrührt. Dies ist normal und stellt kein Problem dar.

Wenn dieses Produkt aus irgendeinem Grund einen Stromstoß erleidet, kann es sein, dass es sich ausschaltet. Hierbei handelt es sich um eine normale Sicherheitsfunktion. Nach 30 Sekunden funktioniert es wieder normal.

Einmal installiert, Bewegen Sie dieses Gerät niemals und legen Sie es nicht auf den Rücken, ohne das Wasser aus der Wanne und dem Wassertank abzulassen.

Wenn Sie das Gerät länger als eine Woche nicht benutzen, lassen Sie das Wasser aus dem Auffangbehälter und dem Wassertank ab und trocknen Sie die Wanne.

Wassertank, Wanne, Wannendeckel, Tankdeckel und Luftfilter müssen jede Woche gereinigt werden, insbesondere in Gebieten mit hartem Wasser.

Das Gerät sollte niemals in Betrieb genommen werden, wenn die Lampen nicht funktionieren.

Die Lampen sollten regelmäßig gemäß der Beschreibung unter „Instandhaltung“ und „Lampenwechsel“ überprüft werden.

Technische Informationen

Modell-Nr.: ENG56-400 E, ENG68-400 E, ENG56-600 E

Wärmeleistung		230 V	240 V	
Nominale Wärmeleistung	P_{Nom}	1,8	2,0	kW
Minimale Wärmeleistung	P_{Min}	0,9	1,0	kW
Maximale kontinuierliche Wärmeleistung	P_{Max}	1,8	2,0	kW
Nebenelektrizitätsverbrauch				
Im Standby-Modus	P_{Nom}	0,45	0,48	W

elektronische Raumtemperatur-Kontrolle mit Wochen-Timer

Installationsanleitung

In diesem Abschnitt wird die Installation des Feuers beschrieben.

BEVOR SIE BEGINNEN

1. Stellen Sie bitte sicher, dass alle Verpackungsmaterialien entfernt wurden (Warnkennzeichnungen sorgfältig lesen) und bewahren Sie die Verpackung für mögliche Wiederverwendung auf, z. B. wenn Sie umziehen oder das Gerät zu Ihrem

Lieferanten bringen oder zurückgeben.

2. Vor Anschluss des Geräts an das Stromnetz prüfen Sie bitte, dass die Voltzahl der Zahl entspricht, die auf dem Heizgerät angegeben ist.

Installation in Kaminsims

1. Gehen Sie bei der Installation des Geräts in einem Kaminsims bitte sicher, dass Sie einen Sims wählen, der für das Gerät passend ist (Abb. 18). Auf der Vorderseite des Kaminsims muss sich ein Luftschaft von mindestens 88 cm² befinden. Es ist wichtig, zu gewährleisten, dass Luft in das Gerät gelangen kann, sonst wird der Opti-myst-Flammeneffekt nicht korrekt funktionieren. Dieser Luftweg darf nicht blockiert werden
2. Entfernen Sie die 4 Abstandhalter von der Vorderseite des Geräts (Abb. 19)
3. Schieben Sie das Gerät vollständig von hinten in den Kaminsims und gehen Sie sicher, dass es sich in der Mitte des Sims befindet. Schrauben Sie das Gerät mit passenden Schrauben (nicht mitgeliefert) fest (Abb. 20)
4. Gehen Sie sicher, dass Sie den Kamin innerhalb von 1 m einer Steckdose aufbauen (Abb. 21)

Installation in Wand oder Aussparung

1. Notieren Sie die Produktmaße in Abb. 1 und bauen Sie eine passende Struktur, in die das Gerät passt, innerhalb von 1 m einer Steckdose (Abb. 22). Schrauben Sie das Gerät mit passenden Schrauben (nicht mitgeliefert) fest
2. Beachten Sie die Lüftungsschlitze des Geräts. Sie befinden sich an der Frontbasis und unter dem Gerät
3. Bauen Sie die Wand gegen das Gerät. Nutzen Sie dabei die Abstandhalter als Richtlinie.
4. Auf der Vorderseite der Struktur muss sich ein Luftschaft von mindestens 88 cm² befinden. Es ist wichtig, zu gewährleisten, dass Luft in das Gerät gelangen kann – ansonsten wird der Opti-myst Flammeneffekt nicht korrekt funktionieren. Dieser Luftweg darf nicht blockiert werden Beispiele für Luftschächte in einer Wand oder Aussparung sehen Sie in Abb. 23

Anschluss der Transducer-Einheit und Lampen

1. Lockern Sie die beiden roten Laschen, indem Sie sie um 90 Grad drehen (Abb. 2).
2. Heben Sie die Wannendüse heraus (Abb. 3).
3. Führen Sie Lampen in die Lampenhalter (Abb. 4), indem Sie vorsichtig die Nadeln in die Löcher stecken (Abb. 4a)
4. Die Lampen fest drücken.
5. Platzieren Sie die Transducer-Einheit in die Wanne und verbinden Sie das Kabel mit der Verbindung an der Wanne (Abb. 5).
6. Wenn die Transducer-Einheit korrekt an der Wanne befestigt ist, sollte die Transducer-Einheit mit der Vertiefung an der Wanne übereinstimmen (Abb. 5a).
7. Gehen Sie sicher, dass sich das Kabel nicht über der Platte der Transducer-Einheit befindet (Abb. 5b). Um zu vermeiden, dass das Kabel zwischen Düse und Wanne eingeklemmt wird, platzieren Sie es in den Schlitz an der Wannwand.
8. Setzen Sie die Wannendüse wieder ein und befestigen Sie sie, indem Sie die beiden roten Laschen um 90 Grad drehen (Abb. 6).

Füllen des Wassertanks

9. Stellen Sie den Wassertank in die Spüle und entfernen Sie die Kappe (zum Öffnen gegen den Uhrzeigersinn drehen) (Abb. 7)
10. Befüllen Sie den Wassertank ausschließlich mit gefiltertem Leitungswasser. Dies ist notwendig, um die Lebensdauer der Flammen- und Rauch erzeugenden Einheit zu verlängern. Das Wasser sollte durch eine herkömmliche Haushaltswasserfiltereinheit gefiltert werden und der Filter sollte regelmäßig ersetzt werden. Destilliertes Wasser darf nicht Genutzt werden.
11. Schrauben Sie die Kappe wieder fest – ohne sie zu fest zu ziehen.
12. Stellen Sie den Wassertank mit dem Tankdeckel nach unten und der flachen Seiten nach außen zeigend in die Wanne (Abb. 8).

Montage des Feuers

13. Platzieren Sie das Brennstoffbett oben auf den Wassertank und die Nebeldüse (Abb. 9).

Bedienung des Produkts

WARNUNG: DIE NICHTBEACHTUNG DIESER BEDIENUNGSANLEITUNG KANN ZU VERLETZUNGEN UND/ODER SCHÄDEN FÜHREN.

Manuelle Bedienelemente


Die manuellen Bedienelemente von Opti-myst befinden sich an der Unterseite des Geräts.

(Siehe Abb. 10 für die Anordnung der manuellen Bedienelemente)

Schalter „A“:- Steuert die Stromversorgung des Kamins.

Hinweis: Dieser Schalter muss sich in der Position „EIN“ (I) befinden, damit der Kamin mit oder ohne Wärme betrieben werden kann, wenn es aktiviert wird.

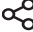
Schalter „B“.- Drücken Sie einmal  , um den Flammeneffekt einzuschalten. Dies wird durch einen hörbaren Piepton angezeigt. Obwohl die Hauptbeleuchtung sofort angeht, dauert es weitere 45 Sekunden, bis der Flammeneffekt einsetzt.

Drücken Sie  Sie , um den Kamin in den Standby-Modus zu versetzen. Dies wird durch einen Piepton angezeigt.

Fernbedienung

Die Fernbedienung ist mit 2 AA-Batterien in einem Beutel verpackt. Ziehen Sie die Batterieabdeckung auf der Rückseite der Fernbedienung ab, und legen Sie die Batterien ein, wobei Sie auf die Polarität achten müssen.

Die Fernbedienung wurde bereits bei der Montage im Werk mit Ihrem Produkt gekoppelt. Für den unwahrscheinlichen Fall, dass sich die Verbindung zwischen Fernbedienung und Gerät trennt oder Sie eine Ersatzfernbedienung erhalten, müssen Sie den Kopplungsvorgang abschließen:

1. Drücken Sie bei eingestecktem Gerät den Schalter A auf die Position EIN (I). Sie sollten einen deutlichen Piepton hören.
2. Halten Sie „Taste 6“ gedrückt, bis KOPPLUNG auf dem Display erscheint
3. Bringen Sie die Fernbedienung in die Nähe des Geräts, in dem sich der Receiver befindet.  Siehe Abb. 17
4. Das Produkt beginnt zu piepen und zu blinken
5. Drücken Sie „Taste 6“, um den Kopplungsvorgang abzuschließen. Das Gerät wechselt in den Standby-Modus.

Einschalten des Geräts

Halten Sie die ENTER-Taste 3 Sekunden lang gedrückt, um die Fernbedienung zu aktivieren. KAMIN wird angezeigt und


EIN leuchtet auf. Drücken Sie ENTER, um das Gerät einzuschalten. Die Lampen leuchten auf und der Flammeneffekt setzt nach ca. 45 Sekunden ein.

Einstellen der Flamme

Bei aktivierter Fernbedienung. KAMIN wird angezeigt und AUS leuchtet auf dem Display auf. Drücken Sie die Taste AUF bis das Symbol KAMIN aufleuchtet. Drücken Sie ENTER. Die aktuelle Flammeneinstellung wird in der Anzeige F1-F6 angezeigt. Drücken Sie die AUF- und AB-Tasten, um die Einstellung zu ändern; das Produkt gibt einen Piepton aus, sobald die Auswahl getroffen wurde. Nachdem Sie Ihre Flammeneinstellung gewählt haben, drücken Sie ZURÜCK, um das Menü zu verlassen und zum Startbildschirm zurückzukehren.


Wählen Sie die Heizungseinstellung

Sie haben die Möglichkeit, die Heizung hoch (HI) oder niedrig (LO) einzustellen oder die Heizung komplett einzustellen (AUS). Schließen Sie die Fernbedienung an das Gerät an, falls Sie dies noch nicht getan haben. Verwenden Sie die Tasten AUF

und AB, um zu den leuchtenden Symbolen  zu navigieren. Drücken Sie die ENTER-Taste, 21°C wird auf dem Bildschirm angezeigt und AUS leuchtet auf, die Heizung schaltet sich ein. Halten Sie dann die ADV-Taste gedrückt, bis HI/LO oder AUS erscheint (die jeweilige Standardeinstellung leuchtet auf). Verwenden Sie die Tasten AUF und AB, um die gewünschte Einstellung auszuwählen. Bestätigen Sie Ihre Einstellung mit der ENTER-Taste. Der Bildschirm kehrt zurück und 21°C wird angezeigt, AUS leuchtet auf. Wenn Sie nun AUS mit der Eingabetaste bestätigen, schaltet sich die Heizung aus und der Bildschirm kehrt zum Startbildschirm zurück.

HINWEIS: Bei der Einstellung AUS ist die Heizung komplett ausgeschaltet und kann nicht über die manuelle Einstellung gestartet werden. Wenn eine Heizung benötigt wird, empfehlen wir die Einstellung LO oder HI.

Einstellung des Thermostats

Bei aktivierter Fernbedienung. Navigieren Sie mit den Auf-/Ab-Tasten auf das Handsymbol . Das Handsymbol leuchtet auf. Drücken Sie die Taste ENTER, 21°C erscheint und die Heizung schaltet sich ein, AUS leuchtet auf. Dies gilt jedoch nur, wenn zuvor die Voreinstellung LO oder HI vorgenommen wurde. Der Heizbetrieb läuft bis die Raumtemperatur von 21°C erreicht ist. Mit den Auf-/Ab-Tasten können Sie bei Bedarf Ihre Wunschtemperatur einstellen. Wenn Sie den Heizbetrieb ausschalten möchten, können Sie den Heizvorgang durch Drücken der ENTER-Taste unterbrechen, während AUS aufleuchtet. Das Programm kehrt dann zum Startbildschirm zurück.

Temperatursicherung


Der Heizlüfter ist mit einer Temperatursicherung ausgestattet, um Schäden durch Überhitzung zu vermeiden. Dies kann passieren, wenn der Wärmeaustritt in irgendeiner Weise beschränkt wurde. Wenn die Abschaltung anspringt, ziehen Sie den Stecker des Heizlüfters aus der Steckdose und warten Sie etwa 10 Minuten, bevor Sie ihn wieder anschließen. Bevor Sie das Heizgerät wieder einschalten, entfernen Sie alle Hindernisse, die den Wärmeaustritt behindern, und setzen Sie dann den normalen Betrieb fort.

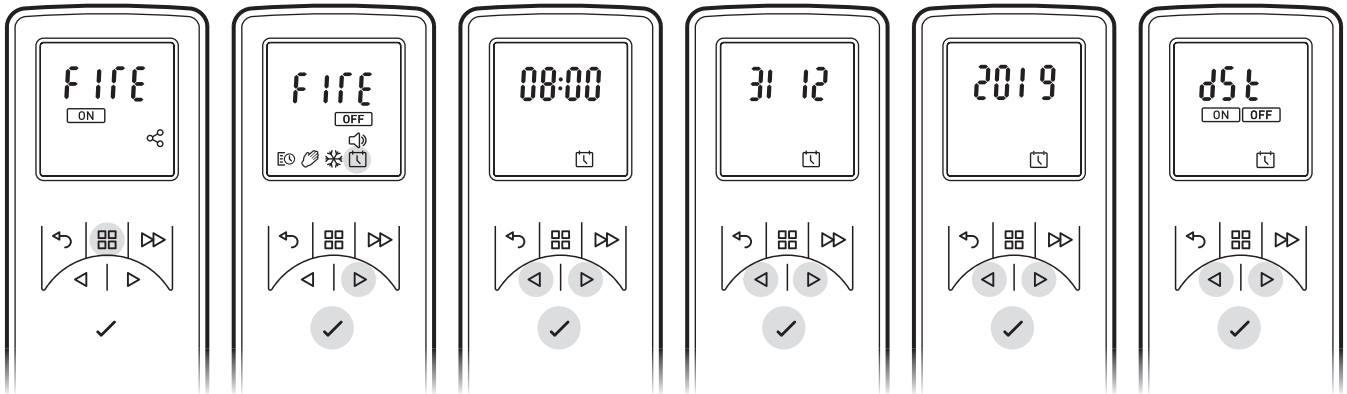
ACHTUNG: Um eine Gefährdung durch versehentliches Zurücksetzen der Temperatursicherung zu vermeiden, darf dieses Gerät nicht über ein externes Schaltgerät, wie z. B. einen Timer, versorgt oder an einen Schalter angeschlossen werden, der regelmäßig vom Stromversorgungsunternehmen ein- und ausgeschaltet wird.

Einstellen von Datum und Uhrzeit

Um Datum und Uhrzeit am Heizgerät einzustellen, navigieren Sie bei aktivierter Fernbedienung mit der Taste AUF/AB zum

Symbol Datum & Uhrzeit


1. Drücken Sie Enter, wenn das  blinkt
2. Drücken Sie < and >, um die Stunde einzustellen, drücken Sie Enter
3. Drücken Sie < and >, um die Minuten einzustellen, und drücken Sie Enter, um die Uhrzeit zu bestätigen
4. Drücken Sie < and >, um den Tag einzustellen, und drücken Sie Enter
5. Drücken Sie < and >, um den Monat einzustellen, und drücken Sie Enter
6. Drücken Sie < and >, um das Jahr einzustellen, und drücken Sie Enter, um das Jahr zu bestätigen
7. Drücken Sie < and >, um EIN/AUS für die Sommerzeit zu wählen, drücken Sie zur Bestätigung die Eingabetaste und kehren Sie zum Startbildschirm zurück.



Modi des Fernbedienungsbetriebs


Benutzer-Timer : Bietet dem Benutzer größtmögliche Flexibilität. Es stehen vier Zeitfenster für den ganzen Tag zur Verfügung, die für jeden Wochentag individuell angepasst werden können. Siehe „Einstellen der Timer-Modi“ für Anweisungen zum Einstellen der werkseitig voreingestellten Zeiträume und Temperaturen.

Manueller Modus : In diesem Modus wird der Raum auf die Temperatur geheizt, auf die Sie die Fernbedienung eingestellt haben.

Frostschutz : In diesem Modus wird die Raumtemperatur auf 7°C gehalten. Dieser Modus sollte zum Schutz vor Frost verwendet werden, was durch das Frostsymbol angezeigt wird.

Auswählen und Einstellen eines Benutzer-Timer-Modus

Benutzer-Timer - Um die werkseitig voreingestellten Timer-Modi neu zu programmieren, navigieren Sie bei aktivierter Fernbedienung mit der AUF/AB-Taste zum Benutzer-Timer

1. Drücken Sie Enter, wenn das Symbol  blinkt.
2. Drücken Sie >, sobald das BEARBEITEN-Symbol blinkt, und drücken Sie dann Enter
Die Wochentage werden nun oben auf dem Bildschirm angezeigt
- Tag 1 = Montag
- Tag 2 = Dienstag
- Tag 3 = Mittwoch
- Tag 4 = Donnerstag
- Tag 5 = Freitag
- Tag 6 = Samstag
- Tag 7 = Sonntag
4. Drücken Sie >, um zum gewünschten Tag zu navigieren, und drücken Sie zur Auswahl Enter
5. P1 wird auf dem Bildschirm angezeigt
6. Drücken Sie Enter, um P1 auszuwählen, oder drücken Sie >, um zu P2, P3 oder P4 zu navigieren, und drücken Sie Enter, um auszuwählen
7. EIN wird angezeigt
8. Drücken Sie < oder >, um die Zeit in Stunden bei EIN einzustellen, und drücken Sie zum Bestätigen Enter
9. Drücken Sie < oder >, um die Zeit in Minuten bei EIN einzustellen, und drücken Sie zum Bestätigen Enter
- 10. Drücken Sie < oder >, um die Temperatureinstellung einzustellen, und drücken Sie zum Bestätigen Enter**
- 11. AUS wird angezeigt**
12. Drücken Sie < oder >, um die Zeit in Stunden bei AUS einzustellen, und drücken Sie zum Bestätigen Enter
13. Drücken Sie < oder >, um die die Zeit in Minuten bei AUS einzustellen, und drücken Sie zur Bestätigung Enter.

Drücken Sie Enter, um das Programm P2 zu ändern, führen Sie die Schritte 5-12 aus, drücken Sie >, um zu P3 zu wechseln.

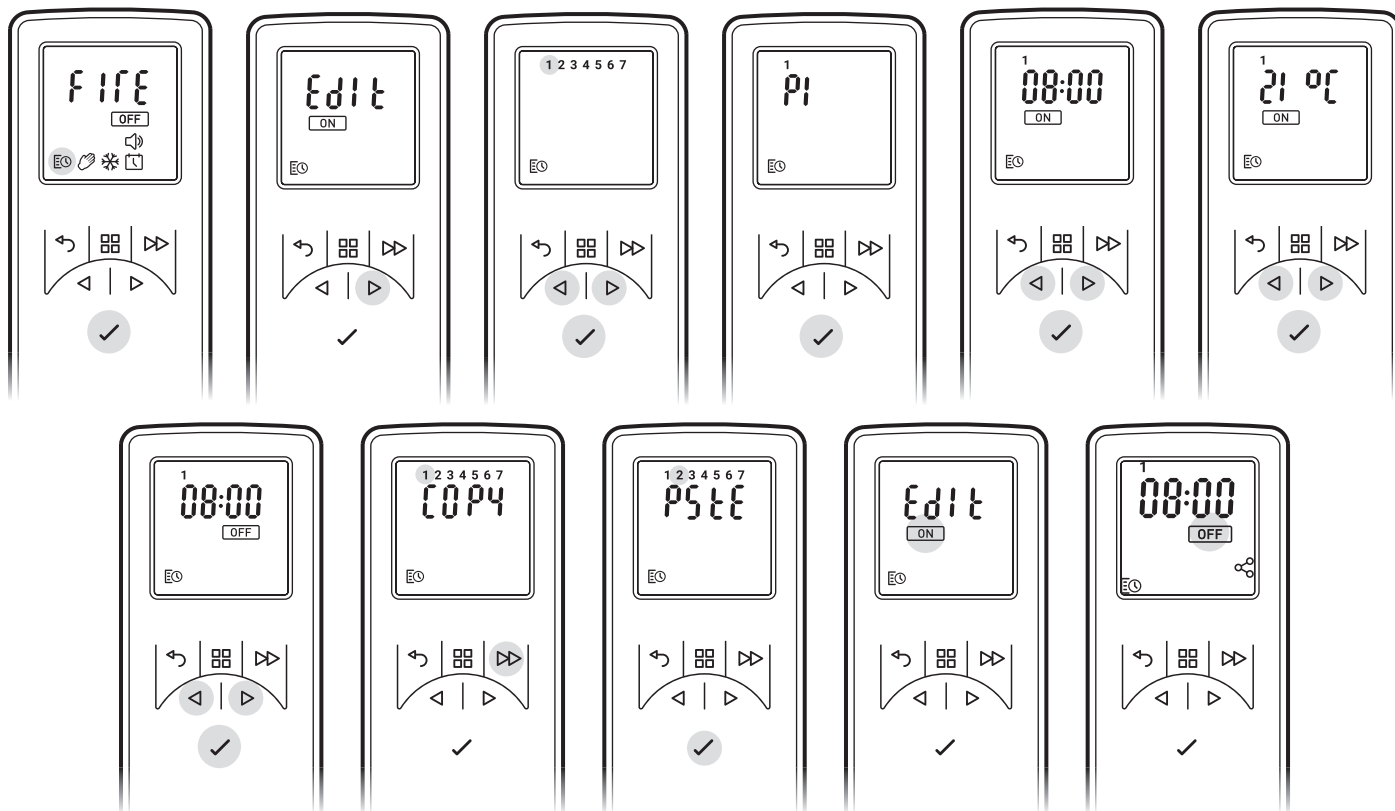
Drücken Sie Enter, um das Programm P3 zu ändern, führen Sie die Schritte 5-12 aus, drücken Sie >, um zu P4 zu wechseln.

Drücken Sie Enter, um das Programm P4 zu ändern, führen Sie die Schritte 5-12 aus


Um die neu programmierten Heizprogramme P1-P4 auf andere Tage zu kopieren, drücken und halten Sie die ADV-Taste; KOPIEREN wird angezeigt, dann navigieren Sie mit den AUF/AB-Tasten zu anderen Tagen, während der Tag aufleuchtet, drücken und halten Sie die ENTER-Taste zum Einfügen, EINFÜGEN wird zur Bestätigung der Einstellung angezeigt.

Drücken Sie die Taste ZURÜCK, der Bildschirm für den Benutzer-Timer wird angezeigt, navigieren Sie mit den Tasten AUF/AB bis zum Aufleuchten von EIN und drücken Sie ENTER, um die Einstellung des Benutzer-Timers zu bestätigen. Während dieser Einstellung schaltet sich das Gerät für die von Ihnen gewählte Zeit aus und wieder ein.


Um den Benutzer-Timer auszuschalten, aktivieren Sie die Fernbedienung, AUS leuchtet auf. Drücken Sie ENTER zur Bestätigung.

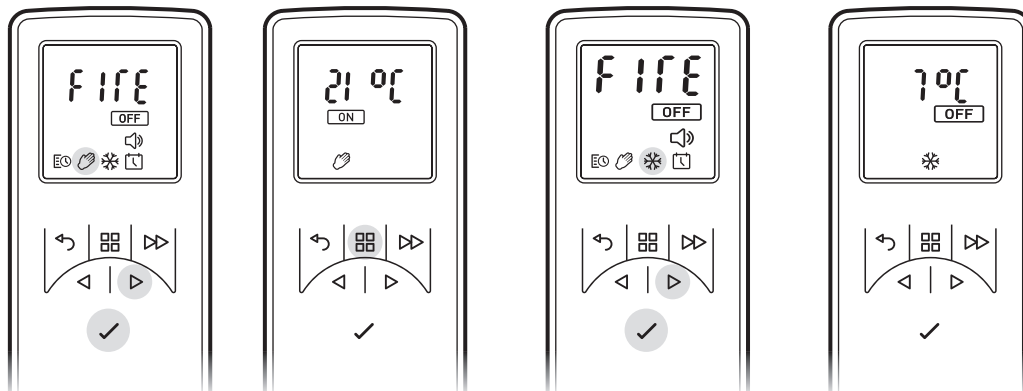


Manueller Modus – Zur Auswahl eines konstanten Heizmodus. In diesem Modus wird der Benutzer-Timer ignoriert und die angezeigte Temperatur beibehalten.

- Drücken Sie die Menütaste
- Drücken Sie < oder >, um das  Handsymbol zu markieren
- Drücken Sie ENTER zur Bestätigung
- Stellen Sie mit < and > die gewünschte Temperatur ein

Frostschutz – Der Frostschutzmodus hält eine Raumtemperatur von 7°C über einen Zeitraum von 24 Stunden aufrecht. Dieser Modus sollte zum Schutz vor Frost verwendet werden, was durch das Frostsymbolsymbol angezeigt wird.

- Drücken Sie die Menütaste
- Drücken Sie < oder >, um das  Schneeflocken-Symbol zu markieren
- Drücken Sie Enter zur Bestätigung
- Drücken Sie < oder >, um diesen Modus zu verlassen und in den manuellen Modus zu wechseln.




Erzielen des gewünschten Flammeneffekts

1. Wenn die Fernbedienung aktiviert ist, leuchtet AUS auf dem Display auf, navigieren Sie mit der Taste AUF bis KAMIN aufleuchtet, und drücken Sie ENTER. Die aktuelle Einstellung wird angezeigt. Drücken Sie < oder >, um zwischen F1 und F6 umzuschalten. F1 ist die niedrigste und F6 die höchste Einstellung.
2. In der Regel erscheinen die Flammen realistischer, wenn der Flammenregler heruntergedreht ist.
3. Geben Sie dem Flammengenerator Zeit, um auf Ihre Änderungen zu reagieren.
4. Der Kamin wird weniger Wasser verbrauchen, wenn der Flammeneffekt auf eine niedrigere Stufe eingestellt ist.
5. Kippen oder bewegen Sie der Kamin nicht, solange sich Wasser im Tank oder Behälter befindet.
6. Stellen Sie sicher, dass der Kamin auf einem ebenen Boden steht.

Anpassen des Displays

Der maximale Temperatursollwert des Produkts beträgt 30°C. Sie haben die Möglichkeit, diesen Sollwert zu verringern. Sie können auch °C in °F ändern.

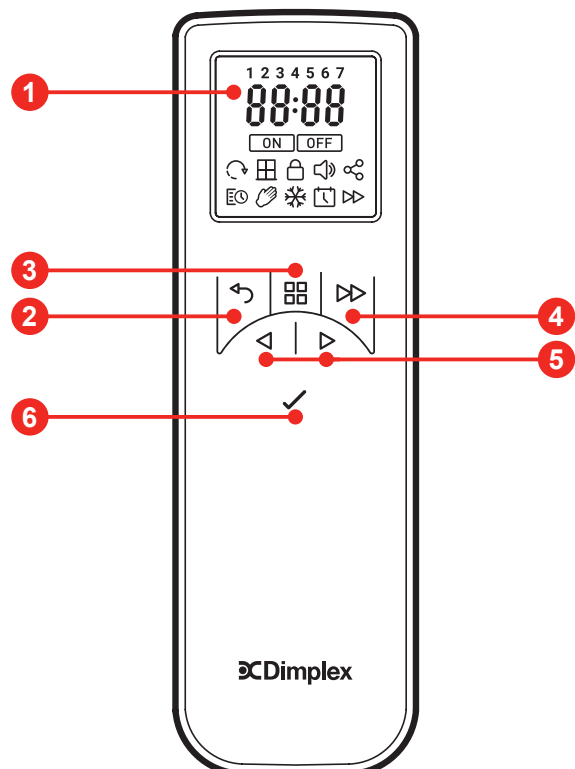
1. Drücken Sie die Menütaste.
2. Drücken Sie < oder >, um zu den  leuchtenden Symbolen zu navigieren.
3. Drücken Sie Enter zur Bestätigung.
4. Drücken und halten Sie die Taste MENU, bis °C und °F angezeigt werden.
5. Drücken Sie < oder >, um zwischen °C und °F zu wählen. Drücken Sie ENTER zur Bestätigung.
6. Drücken Sie < oder >, um Ihren maximalen Temperatursollwert auszuwählen.
7. Drücken Sie die ZURÜCK-Taste, um zum Startbildschirm zurückzukehren.

Adaptiver Start

Die in diesem Gerät eingebaute Elektronik verfügt über eine Lernfunktion in Bezug auf die Zeit, die zum Aufheizen eines Raums benötigt wird. Nachdem das Gerät gelernt hat, wie schnell es Ihren Raum aufheizen kann, schaltet es sich genau zum richtigen Zeitpunkt ein, um den Raum auf eine angenehme Temperatur zu bringen, wenn Sie es wünschen. Wenn Sie zum Beispiel um 7 Uhr morgens aufstehen, müssten Sie normalerweise raten, wann Sie die Heizung einschalten, damit sie den Raum rechtzeitig vorheizt. Je nachdem, wie kalt es draußen ist, kann das bedeuten, dass der Raum noch kalt ist, wenn Sie aus dem Bett aufstehen müssen, oder dass er schon eine halbe Stunde warm war, bevor er es sein musste. Adaptiver Start bedeutet, dass sich die Heizung, wenn Sie 21°C um 7 Uhr morgens auswählen, genau dann einschaltet, wenn es nötig ist, um dieses Ziel zu erreichen, und bei mildem Wetter kürzer läuft und dafür sorgt, dass der Raum im Winter schön warm ist.

Fernbedienung

- 1 Anzeigebildschirm
- 2 „Zurück“-taste
- 3 Menü-taste
- 4 „Weiterschalt“-taste
- 5 „Auf und Ab“ Pfeile
- 6 Eingabetaste



Wartung

ALLGEMEINE HINWEISE

Verwenden Sie in diesem Gerät nur gefiltertes Leitungswasser.

Stellen Sie immer sicher, dass das Gerät auf einer ebenen Fläche steht.

Wenn Sie das Gerät länger als eine Woche nicht benutzen, entfernen und leeren Sie die Wanne und den Wassertank.

Einmal installiert, Bewegen Sie dieses Gerät niemals und legen Sie es nicht auf den Rücken, ohne das Wasser aus der Wanne und dem Wassertank abzulassen.

Das Gerät sollte niemals in Betrieb genommen werden, wenn die Lampen nicht funktionieren.

Die Lampen sollten regelmäßig gemäß der Beschreibung unter „Lampenwechsel“ überprüft werden.

FÜLLEN DES WASSERTANKS

Wenn der Wassertank leer ist, wird der Flammen- und Raucheffekt ausgeschaltet und Sie hören 2 akustische Signaltöne. Befolgen Sie folgende Schritte.

1. Bringen Sie Schalter „A“ auf (0) (Abb. 10)
2. Heben Sie das Brennstoffbett vorsichtig heraus und legen Sie es vorsichtig zur Seite.
3. Entfernen Sie den Wassertank, indem Sie ihn nach oben und außen heben.
4. Stellen Sie den Wassertank in die Spüle und entfernen Sie die Kappe. Zum Öffnen gegen den Uhrzeigersinn drehen. (Abb. 7)
5. Füllen Sie den Tank mit ausschließlich mit gefiltertem Leitungswasser. Dies ist notwendig, um die Lebensdauer der Flammen- und Rauch erzeugenden Einheit zu verlängern.
Das Wasser sollte durch eine herkömmliche Haushaltswasserfiltereinheit gefiltert werden und der Filter sollte regelmäßig ersetzt werden.
6. Schrauben Sie die Kappe wieder auf, nicht zu fest anziehen.
7. Stellen Sie den Tank mit dem Tankdeckel nach unten und der flachen Seiten nach außen zeigend wieder in die Wanne. (Abb. 8)
8. Setzen Sie das Brennstoffbett vorsichtig wieder in Position. (Abb. 9)
9. Bringen Sie Schalter „A“ auf die Position „AN“ (I) (Abb. 10)

LAMPENWECHSEL

Wenn die Flamme und der Raucheffekt grau oder farblos erscheinen, kann es sein, dass eine oder mehrere Lampen ausgefallen sind.

Sie können den Lampenfehler wie folgt prüfen.

1. Lassen Sie den Flammeneffekt an und heben Sie das Brennstoffbett und den Wassertank heraus.
2. Es sollte möglich sein, die Lampen zu sehen, ohne die Düse zu entfernen, um zu sehen, welche Lampe gewechselt werden muss.
3. Schalten Sie Schalter „A“ auf Position „AUS“ und ziehen Sie den Netzstecker des Feuers.
4. Lassen Sie das Gerät 20 Minuten lang stehen, damit die Lampen abkühlen können, bevor Sie sie entfernen.
5. Entfernen Sie die Wanne wie in der Reinigung beschrieben.
6. Entfernen Sie die defekte Lampe, indem Sie sie vorsichtig vertikal anheben und die Stifte vom Lampenhalter lösen (siehe Abb. 4 und 4a).
Ersetzen Sie mit einer OPTIMYST, 12 V, 45 W, Gu5.3 Basis, 8° Abstrahlwinkel, farbigen Lampe. (Von Ihrem Lieferanten gekauft)
7. Führen Sie die beiden Stifte der neuen Lampe vorsichtig in die zwei Löcher im Lampenhalter ein. Fest drücken. (Abb. 4 und 4a).
8. Setzen Sie die Wanne, Düse, den Wassertank und das Brennstoffbett wieder ein.

REINIGUNG

Warnung – Den Schalter „A“ immer auf die Position „AUS“ stellen (0) (Abb. 10) und von der Stromversorgung lösen, bevor das Gerät gereinigt wird.

Wir empfehlen, insbesondere in Gebieten mit hartem Wasser, wöchentlich folgende Komponenten zu reinigen: - Wassertank, Wanne, Düse, Tankdeckel und Dichtung, Luftfilter.

Zur allgemeinen Reinigung ein weiches, sauberes Staubtuch verwenden. Niemals mit aggressiven Reinigern behandeln. Zum Entfernen von Staub oder Flusen vom Wärmeabzuggrill des Heizgeräts kann von Zeit zu Zeit der weiche Bürstenaufsatz des Staubsaugers verwendet werden.

Wassertank

1. Entfernen Sie den Wassertank, wie zuvor beschrieben, in die Spüle und leeren Sie das Wasser.
2. Mit der mitgelieferten Bürste die Innenflächen der Kappe vorsichtig reiben, wobei der Gummiring in der äußeren Nut und der mittleren Gummidichtung besonders zu beachten ist.
3. Eine kleine Menge Spülmittel in den Tank geben, die Kappe wieder aufsetzen und gut schütteln, ausspülen, bis alle Spuren von Spülmittel verschwunden sind.
4. Füllen Sie nur gefiltertes Leitungswasser nach, ersetzen Sie die Kappe, ziehen Sie sie nicht zu fest an.

Wanne

1. Bringen Sie Schalter „A“ auf die Position (0) AUS.
2. Heben Sie das Brennstoffbett vorsichtig heraus und legen Sie es vorsichtig auf den Boden.
3. Entfernen Sie den Wassertank, indem Sie ihn nach oben heben.
4. Trennen Sie die elektrische Verbindung auf der rechten Seite der Wanne. (Abb. 5).
5. Lösen Sie die rechten Sperrhaken der Wanne, indem Sie sie um 90° drehen. Dadurch kann der Wannenbehälter vollständig von seiner Position angehoben werden. (Abb. 11)
6. Heben Sie die Wanne vorsichtig an und achten Sie darauf, dass sie waagrecht bleibt, damit kein Wasser verschüttet wird. Setzen Sie die Montage in die Spüle.
7. Lockern Sie die linken Sperrhaken an der Wanne, indem Sie sie um 90° drehen, und heben Sie dann den Düse ab. (Abb. 3)
8. Den Transducer herausheben und vorsichtig kippen, wie gezeigt, so dass die Flüssigkeit aus der Wanne abfließt. (Abb. 13)
9. Geben Sie eine kleine Menge Spülmittel in die Wanne und reinigen Sie mit der mitgelieferten Bürste alle Oberflächen der Wanne und den Transducer einschließlich der Metallscheiben auf der oberen gerillten Oberfläche vorsichtig. (Abb. 14)
10. Spülen Sie die Wanne bei der Reinigung gründlich mit klarem Wasser, um jegliche Spuren von Spülmittel zu entfernen.
11. Reinigen Sie die Düse mit der Bürste und spülen Sie diese gründlich mit Wasser aus. (Abb. 15)
12. Kehren Sie die obigen Schritte zum erneuten Zusammensetzen um.

Luftfilter

1. Heben Sie das Brennstoffbett vorsichtig heraus und legen Sie es vorsichtig auf den Boden.
2. Schieben Sie den Luftfilter vorsichtig nach oben aus dem Plastikhalter heraus. (Abb. 16)
3. Spülen Sie sie vorsichtig mit Wasser in der Spüle ab und trocknen Sie sie mit einem Stoffhandtuch, bevor Sie zurückgehen.
4. Tauschen Sie den Filter aus und vergewissern Sie sich, dass der grobe schwarze Filter zur Vorderseite des Feuers zeigt.
5. Platzieren Sie das Brennstoffbett erneut.

Zusätzliche Informationen

SERVICE NACH DEM VERKAUF

Die Produktgarantie besteht zwei Jahre lang nach Kaufdatum. Innerhalb dieses Zeitraums übernehmen wir Reparatur oder Austausch dieses Produkts kostenlos (nach Verfügbarkeit und ausgenommen der Lampen), wenn das Gerät gemäß dieser Anleitung installiert und betrieben wurde. Die Rechte unter dieser Garantiegewährleistung verstehen sich zusätzliche zu den gesetzlichen Rechten, die wiederum nicht durch diese Garantie beeinflusst werden.

RECYCLING



Für elektrische Produkte, die innerhalb der Europäischen Gemeinschaft verkauft werden – Nach Ende der Lebensspanne des elektrischen Gerätes darf dies nicht im Haushaltsabfall entsorgt werden. Bitte bei den entsprechenden Einrichtungen recyceln. Holen Sie sich Ratschläge zum Recyceln bei Ihren örtlichen

Behörden oder Ihrem Einzelhändler für Ihr Land ein.

PATENT / PATENTANMELDUNG

Produkte der Optimyst-Reihe sind durch eines oder mehrere der folgenden Patente und Patentanmeldungen geschützt:

Großbritannien GB 2402206, GB 2460259, GB 2460453, GB 2418014, GB 2465738, GB 2449925, GB 2465537, GB 2455277, GB1020534.2, GB1020537.5, GB1110987.3

USA US 7967690, US 2010299980, US 2011062250, US 2008028648, US 13/167,042

Russland RU2008140317

Europa EP 2029941, EP 2201301, EP 2315976, EP 1787063, EP07723217.1, EP11170434.2, EP 11170435.9

China CN 101883953, CN 200980128666.2, CN 101057105, CN 101438104

Australien AU 2009248743, AU 2007224634

Kanada CA 2725214, CA 2579444, CA 2645939

Internationale Patentanmeldung WO 2006027272

Südafrika ZA 200808702

Mexiko MX 2008011712

Korea KR 20080113235

Japan JP 2009529649

Brasilien BR P10708894-9

Indien IN 4122/KOLNP/2008

Neuseeland NZ 571900

Problemlösung		
Symptom	Ursache	Korrekturmaßnahme
Der Flammeneffekt wird nicht starten.	<p>Netzstecker ist nicht eingesteckt.</p> <p>Niedriger Wasserstand.</p> <p>Niederspannungsstecker nicht korrekt angeschlossen. (Abb. 5)</p> <p>Die Wandlereinheit sitzt nicht richtig in der Wanne.</p>	<p>Überprüfen Sie, ob der Stecker korrekt an der Steckdose angeschlossen ist.</p> <p>Überprüfen Sie, ob der Wassertank voll ist und es gibt Wasser in der Wanne.</p> <p>Überprüfen Sie, ob der Stecker richtig eingesteckt ist. (Abb. 5)</p> <p>Stellen Sie sicher, dass sich der Wandler in der Vertiefung in der Wanne befindet.</p>
Der Flammeneffekt ist zu niedrig.	<p>Der Flammeneffekt-Knopf ist zu niedrig eingestellt. (Abb. 10)</p> <p>Die Metallscheibe im Wandler könnte schmutzig sein (siehe Abb. 14).</p> <p>Der Draht von der Wandlereinheit sitzt über der Metallscheibe.</p>	<p>Erhöhen Sie das Flammenniveau mit der Fernbedienung (siehe Abschnitt „Bedienung des Produkts“).</p> <p>Reinigen Sie die Metallscheibe mit der mitgelieferten weichen Bürste. (Siehe Abb. 14) Siehe „Instandhaltung“ für eine Schritt-für-Schritt-Anleitung.</p> <p>Richten Sie den Draht auf die Rückseite der Wanne und achten Sie darauf, dass er in den seitlichen Schlitz der Wanne passt.</p>
Unangenehmer Geruch wenn Gerät benutzt wird.	<p>Schmutziges oder abgestandenes Wasser.</p> <p>Mit ungefiltertem Wasser.</p>	<p>Reinigen Sie das Gerät wie unter Instandhaltung beschrieben.</p> <p>Verwenden Sie nur gefiltertes Leitungswasser.</p>
Der Flammeneffekt hat zu viel Rauch.	Die Flammeneffekt-Einstellung ist zu hoch.	Drehen Sie den Flammeneffekt mit dem Kontrollknopf „D“ nach rechts, jeweils um etwa eine Viertel Drehung. Geben Sie dem Flammengenerator Zeit, um auf die neue Einstellung zu reagieren, bevor Sie ihn weiter erhöhen. (Abb. 10)
Hauptlampen funktionieren nicht und es gibt keine Flammen oder Rauch.	Es gibt kein Wasser im Wassertank.	<p>Befolgen Sie die Anweisungen unter Wartung „Füllen des Wassertanks“</p> <p>Stellen Sie sicher, dass der Stecker richtig an der Steckdose angeschlossen ist und dass der Schalter „A“ Abb. 10 in der Position AN (I) steht.</p>

Introductie

Lees deze informatiehandleiding zorgvuldig door voor het veilig installeren, gebruiken en onderhouden van uw product.

Belangrijke veiligheidsmededeling

OPGELET: HET NIET OPVOLGEN VAN DEZE INSTRUCTIES KAN LETSEL EN/OF SCHADE VEROORZAKEN EN UW GARANTIE TENIET DOEN

Belangrijke veiligheidsmededeling

Bij gebruik van elektrische apparaten dienen basisvoorzorgmaatregelen altijd in acht genomen te worden om het risico op brand, elektrische schokken en verwondingen bij personen te voorkomen, inclusief de volgende voorzorgsmaatregelen:

- Neem contact op met de leverancier als het apparaat beschadigd is voordat u het installeert of in gebruik neemt.
- Niet buiten gebruiken.
- Niet in de direct omgeving van een bad, douche of zwembad gebruiken.
- Het apparaat niet rechtstreeks onder een vast stopcontact of aansluitdoos plaatsen.

Waarschuwing: Gebruik deze kachel niet voor andere doeleinden dan voor huishoudelijke doeleinden, in het land waar hij bij een erkende detailhandelaar werd gekocht.

Dit apparaat kan worden bediend door kinderen van 8 jaar en ouder en door personen met verminderde fysieke, zintuiglijke of geestelijke capaciteiten of gebrek aan ervaring en kennis als zij onder supervisie staan of instructies krijgen ten aanzien van het veilige gebruik van het apparaat en begrijpen welke gevaren zich kunnen voordoen. Kinderen mogen niet met het apparaat spelen. Reinigen en onderhoudswerkzaamheden mogen niet door kinderen zonder supervisie uitgevoerd worden.

Kinderen van 3 jaar of jonger moeten uit te buurt gehouden worden behalve bij constante supervisie. Kinderen vanaf 3 jaar maar jonger dan 8 jaar mogen het apparaat alleen aan/uit zetten op voorwaarde dat deze in de normale functioneringspositie is geplaatst of geïnstalleerd en ze begeleiding of instructie hebben gekregen ten aanzien van het veilige gebruik van het apparaat en de betreffende gevaren begrijpen. Kinderen ouder dan 3 en jonger dan 8 jaar mogen de stekker van het apparaat niet in het stopcontact steken, hem instellen en reinigen of onderhoudswerkzaamheden uitvoeren.

Waarschuwing: Dit apparaat moet worden geaard.

Het gebruik van een verlengsnoer of een adapter voor meerdere stekkers wordt afgeraden bij het aansluiten van dit product op het lichtnet. Het aansluiten met behulp van deze hulpmiddelen kan tot overbelasting, oververhitting en zelfs brand van het verlengsnoer of de adapter leiden als gevolg van onvoldoende kwaliteit van de verbinding.

Deze kachel mag alleen worden gebruikt via een stopcontact met wisselstroom en de spanning die op de haard staat vermeld, moet overeenkomen met de voedingsspanning.

Gebruik dit apparaat niet in seriegeschakeld met een thermische bediening, een programmabediening, aangezien er risico op brand bestaat als de verwarming per ongeluk wordt afgedekt of verplaatst. Gebruik de kachel NIET op hoogpolige tapijten, op kleden met een lang haartype of op minder dan 750 mm (30 inches) afstand van enig overhangend oppervlak/materiaal. Houd brandbare materialen, zoals gordijnen en ander meubilair, weg van de voorkant, de zijkanten en achterkant van de kachel. Gebruik de kachel niet om uw was te drogen.

Haal in het geval van een storing de stekker van het apparaat uit het stopcontact. Haal de stekker van het apparaat uit het stopcontact als hij langere tijd niet wordt gebruikt.

Het apparaat moet zodanig gepositioneerd worden dat de stekker bereikbaar is. Als het snoer beschadigd is, moet hij vervangen worden door de fabrikant of servicedienst of een vergelijkbaar gekwalificeerd persoon om gevaar te vermijden. Houd het snoer uit de buurt van de voorkant van het apparaat.

Opgelet: Sommige onderdelen van dit product kunnen heel heet worden en brandwonden veroorzaken. Let extra goed op als er kinderen en kwetsbare personen in de buurt zijn.

Waarschuwing: Het apparaat niet afdekken om oververhitting te voorkomen. Geen materiaal of kleding op het apparaat leggen of de luchtcirculatie om het apparaat verhinderen door bijvoorbeeld gordijnen of meubels, aangezien dit tot oververhitting kan leiden en tot brandgevaar kan leiden. Het apparaat heeft een NIET BEDEKKEN-waarschuwing.

Waarschuwing: Dit apparaat mag niet via een extern schakelapparaat, zoals een timer, worden gevoed of aangesloten worden op een circuit dat regelmatig door de nutsvoorziening aan en uit wordt gezet, om risico te vermijden door het per ongeluk resetten van de thermische afsluiting.

Algemene informatie

Gebruik in dit apparaat uitsluitend gefilterd water.

Zorg er altijd voor dat het apparaat op een vlakke ondergrond staat.

Hoewel deze kachel aan de veiligheidsnormen voldoet, raden wij het gebruik op hoogpolig tapijt of langharige kleden af.

Opgelet: Bij gebruik in een omgeving met weinig achtergrondgeluid kan een geluid hoorbaar zijn als het vlameffect geselecteerd wordt. Dit is normaal en is niet iets waar zorgen om gemaakt hoeft te worden.

Als dit product om welke reden dan ook een stroomstoot ervaart, kan het product worden uitgeschakeld. Dit is een normale veiligheidsfunctie. Het product hervat de werking na 30 seconden.

Eenmaal geïnstalleerd, mag dit apparaat nooit worden verplaatst of op zijn rug worden gelegd, zonder dat het water uit de opvangbak en de watertank zijn verwijderd.

Als u het apparaat langer dan een week niet gebruikt, laat dan het water uit de lekbak en het waterreservoir weglopen en droog de lekbak.

De watertank, het carterdeksel, de tankdop en de luchtfilters moeten wekelijks worden schoongemaakt, vooral in gebieden met hard water.

Het apparaat mag nooit worden gebruikt als de lampen niet werken.

De lampen moeten regelmatig worden geïnspecteerd zoals beschreven onder 'Onderhoud' en 'Lampen vervangen'

Technische informatie

Modelnr: ENG56-400 E, ENG68-400 E, ENG56-600 E

Warmteafgifte		230 V	240 V	
Nominale warmteafgifte	$P_{\text{Nom.}}$	1,8	2,0	kW
Minimale warmteafgifte	$P_{\text{min.}}$	0,9	1,0	kW
Maximale continue warmteafgifte	$P_{\text{max.}}$	1,8	2,0	kW
Aanvullend elektriciteitsverbruik				
In de stand-bymodus	$P_{\text{Nom.}}$	0,45	0,48	W

elektronische regeling van de kamertemperatuur en weektimer

Installatie-instructies

In dit gedeelte wordt beschreven hoe u uw vuur instelt.

VOORDAT U BEGINT

1. Zorg ervoor dat alle verpakkingen verwijderd zijn (lees waarschuwingslabels zorgvuldig) en bewaar al het verpakkingsmateriaal voor mogelijk gebruik in de toekomst, bijv. in het geval van verhuizing of het terugsturen van het apparaat naar uw leverancier.
2. Controleer of de voedingsspanning van het stopcontact overeenkomt met die van het apparaat, voordat u de kachel aansluit.

Installatie in een haardmantel

1. Wanneer u dit apparaat in een haardmantel installeert, zorg er dan voor dat u een mantel kiest die geschikt is voor uw kachel (Fig. 18). Aan de voorkant van de haardmantel moet een ventilatieopening zijn van minimaal 88 cm². Dit is essentieel om ervoor te zorgen dat er lucht in het apparaat kan circuleren - anders zal het Opti-myst-vlameffect niet juist werken. Deze luchtweg mag niet worden belemmerd
2. Verwijder de 4 afstandsbeugels aan de voorkant van het apparaat (Fig. 19)
3. Schuif het apparaat volledig vanaf de achterkant in de haardmantel en zorg ervoor dat het zich in het midden van de mantel bevindt. Gebruik geschikte schroeven (niet bijgeleverd) en schroef het apparaat op zijn plek (Fig. 20)
4. Plaats de haard op minder dan 1 meter afstand van een stopcontact (Fig. 21)

Installatie in een muur of uitsparing

1. Noteer de productafmetingen in figuur 1 en bouw een geschikte structuur voor het apparaat binnen 1 meter van een stopcontact (Fig. 22). Gebruik geschikte schroeven (niet bijgeleverd) en schroef het apparaat op zijn plek
2. Merk de ontluuchtingspleuven in het apparaat op. Deze bevinden zich aan de voorkant en onder het apparaat
3. Bouw de muur tegen het apparaat op met behulp van de afstandsbeugels als richtlijn.
4. Aan de voorkant van de structuur moet een ventilatieopening zijn van minimaal 88 cm². Het is van essentieel belang dat lucht in het apparaat kan circuleren - anders werkt het Opti-myst-vlameffect niet correct. Deze luchtweg mag niet worden belemmerd. Zie voorbeelden van luchtroosters in een wand of uitsparing in Fig. 23

De omzettereenheid en lampen aansluiten

1. Laat de twee rode lipjes loskomen door ze 90 graden te draaien (Fig. 2)
2. Verwijder de opvangpijp (Fig. 3)
3. Steek lampen in de lamphouders (Fig. 4) en plaats de pennen voorzichtig in de gaten (Fig. 4a)
4. Druk de lampen stevig op hun plek.
5. Plaats de omzettereenheid in de opvangbak en verbind de kabel met de connector op de opvangbak (Fig. 5)
6. Om er zeker van te zijn dat de omzettereenheid correct in de opvangbak is geplaatst, moet het lipje op de omzettereenheid uitgelijnd worden met de gegoten uitsparing in de opvangbak (Fig. 5a).
7. Zorg ervoor dat de kabel niet boven de schijf op de omzettereenheid wordt geplaatst (Fig. 5b). Om te voorkomen dat de kabel gekneld komt te liggen tussen het mondstuk en de opvangbak plaatst u de kabel in de gleuf in de wand van de opvangbak.
8. Vervang de opvangbakpijp en zet de pijp vast door de twee rode lipjes 90 graden te draaien (Fig. 6)

Het vullen van het waterreservoir

9. Plaats het waterreservoir in de gootsteen en verwijder de dop (draai tegen de klok in om hem te openen) (Fig. 7)
10. Vul de watertank alleen met gefilterd leidingwater. Dit is noodzakelijk om de levensduur van de vlam- en rookproducerende eenheid te verlengen. Het water moet worden gefilterd door een conventioneel waterfilter en het filter moet regelmatig worden vervangen. Gebruik geen gedestilleerd water.
11. Schroef de dop er weer op – niet te vast aandraaien.
12. Plaats het waterreservoir in de opvangbak met de reservoirdop naar beneden gericht en de platte kant van het reservoir naar buiten gericht (Fig. 8)

Het vuur monteren

13. Plaats het brandstofbed op het waterreservoir en de mistsproeier (Fig. 9)

Het systeem bedienen



WAARSCHUWING: HET NIET OPVOLGEN VAN DEZE GEBRUIKSAANWIJZING KAN LEIDEN TOT LETSEL EN/OF SCHADE.

Handmatige bediening

De handmatige bediening van de Opti-Myst bevindt zich op de voet van het apparaat.
(Zie afbeelding 10 voor een overzicht van de handmatige bediening)

Schakelaar 'A':- Regelt de stroomtoevoer naar de haard.

Opmerking: Deze schakelaar moet in de stand 'AAN' (I) staan om de haard met of zonder warmte te laten werken wanneer deze wordt geactiveerd.

Schakelaar 'B':- Druk één keer  op om het haardeffect in te schakelen. Dit wordt aangegeven door een pieptoon. Hoewel de hoofdverlichting onmiddellijk werkt, duurt het nog 45 seconden voordat het vlameffect is ingeschakeld.
Druk  om de haard in stand-by modus te zetten. Dit wordt aangegeven door één pieptoon.

Afstandsbediening

De afstandsbediening is samen met 2 AA-batterijen verpakt in een zakje. Verwijder het batterijklepje aan de achterzijde van de afstandsbediening en plaats de batterijen en let daarbij op de polariteit.

De afstandsbediening is in de fabriek aan uw product gekoppeld. In het onwaarschijnlijke geval dat de verbinding tussen de afstandsbediening en het product vervalst, of dat u een reserve-afstandsbediening krijgt, dient u het koppelingsproces te voltooien:

1. Zorg ervoor dat het product op is aangesloten op het stopcontact en zet schakelaar A in de stand AAN (I). U hoort nu een pieptoon
2. Houd 'Knop 6' ingedrukt totdat KOPPELEN op het scherm verschijnt.
3. Houd de afstandsbediening naast het punt op het product waar de ontvanger zich bevindt . Zie afbeelding 17
4. Het product zal gaan piepen en knipperen
5. Druk op 'Knop 6' om het koppelen te voltooien. Het product gaat in stand-by.

Zet het apparaat aan

Houd de ENTER-knop 3 seconden ingedrukt om de afstandsbediening te activeren. HAARD wordt weergegeven en AAN


knippert. Druk op ENTER om het apparaat in te schakelen. De lampen lichten op en het vlameffect begint op na ongeveer 45 seconden.

De haardinstelling aanpassen

Zorg ervoor dat de afstandsbediening is geactiveerd. HAARD wordt weergegeven en UIT knippert op het scherm. Druk op de OMHOOG-knop totdat het HAARD-icoontje knippert. Druk op ENTER. De huidige haardinstelling wordt getoond: F1-F6. Druk op de OMHOOG- en OMLAAG-knoppen om de instelling aan te passen. Het product piept zodra de keuze is gemaakt. Nadat u uw haardinstelling heeft gekozen, drukt u op TERUG om het menu te verlaten en terug te keren naar het beginscherm.


Selecteer de verwarmingsinstelling

U heeft de mogelijkheid om de verwarming hoog (HOOG), laag (LAAG) of volledig uit te zetten (UIT). Koppel de afstandsbediening met het apparaat als u dit nog niet hebt gedaan. Gebruik de OMHOOG- en OMLAAG-knoppen totdat het

icoontje  knippert. Druk op de ENTER-knop. 21°C wordt weergegeven op het scherm en UIT knippert. Het verwarmen begint nu. Houd vervolgens de ADV-knop ingedrukt totdat HOOG/LAAG of UIT verschijnt (de respectieve standaardinstelling knippert). Gebruik de OMHOOG- en OMLAAG-knoppen om de gewenste instelling te kiezen. Bevestig uw instelling met de ENTER-knop. Het scherm toont weer 21°C. UIT knippert. Als u nu met de enterknop UIT bevestigt, wordt de verwarming uitgeschakeld en gaat u terug naar het beginscherm.

LET OP: Bij de instelling UIT is de verwarming volledig uitgeschakeld en kan deze niet worden gestart met de handinstelling. Als verwarming nodig is, raden wij de instelling LAAG of HOOG aan.

De thermostaat instellen

Zorg ervoor dat de afstandsbediening is geactiveerd. Navigeer met de toetsen OMHOOG-/OMLAAG-knoppen naar het handicoontje . Het handicoontje begint te knipperen. Druk op de ENTER-knop. 21°C wordt weergegeven en het verwarmen begint nu. UIT knippert. Dit geldt echter alleen als LAAG of HOOG al eerder is ingesteld. De verwarming blijft aanstaan totdat de kamertemperatuur van 21°C is bereikt. Met de OMHOOG-/OMLAAG-knoppen kunt u eventueel de gewenste temperatuur instellen. Als u de verwarming wilt uitschakelen, kunt u de verwarming onderbreken door op de ENTER-knop te drukken terwijl UIT knippert. Het programma keert vervolgens terug naar het beginscherm.

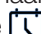
Thermische veiligheidsuitschakeling

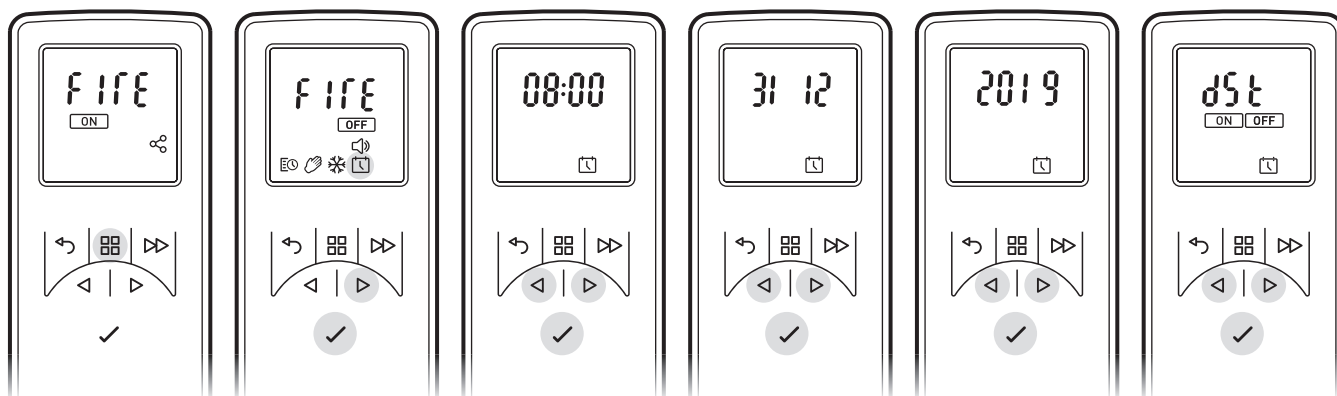
In de luchtverhitter is een thermische beveiliging ingebouwd om schade door oververhitting te voorkomen. Dit kan gebeuren als de warmteafvoer op enigerlei wijze wordt beperkt. Als de uitschakeling is geactiveerd, haalt u de stekker uit het stopcontact en wacht ongeveer 10 minuten voordat u het toestel weer aansluit. Voordat u de verwarming opnieuw inschakelt, moet u alle obstakels verwijderen die de warmteafvoer belemmeren.

WAARSCHUWING: Om gevaar als gevolg van het onbedoeld resetten van de thermische beveiliging te voorkomen, mag dit apparaat niet worden gevoed via een extern schakelapparaat, zoals een timer, of worden aangesloten op een schakelaar die regelmatig door het elektriciteitsnet wordt in- en uitgeschakeld.


Datum en tijd instellen

Om de datum en tijd op de verwarming in te stellen: zorg ervoor dat de afstandsbediening is geactiveerd. Navigeer met de OMHOOG-/OMLAAG-knoppen naar het Datum en tijd-icoontje.


1. Druk op ENTER wanneer de  knippert
2. Druk op < en > om uren in te stellen. Druk vervolgens op Enter
3. Druk op < en > om minuten in te stellen. Druk vervolgens op Enter om de tijd te bevestigen
4. Druk op < en > om de dag in te stellen. Druk vervolgens op Enter
5. Druk op < en > om de maand in te stellen. Druk vervolgens op Enter
6. Druk op < en > om het jaar in te stellen. Druk vervolgens op Enter om de datum te bevestigen
7. Druk op < en > om AAN/UIT te selecteren voor de zomertijd, druk op Enter om uw instellingen te bevestigen en terug te keren naar het beginscherm.



Modes van bediening op afstand


Gebruikerstijd : Biedt de gebruiker de meeste flexibiliteit. De hele dag door zijn er vier tijdslots beschikbaar. Deze kunnen voor elke dag van de week worden aangepast. Zie 'Timermodus aanpassen' voor instructies om deze aan te passen ten opzichte van de standaard tijdperioden en temperaturen.

Handmatige modus : Deze modus verwarmt de kamer tot de temperatuur die u op de afstandsbediening heeft ingesteld.

Vorstbescherming : Deze modus houdt de kamertemperatuur op 7°C. Deze modus moet worden gebruikt om bescherming te bieden tegen vorst, zoals aangegeven door het vorst-icoontje.

Kiezen en instellen van een gebruikerstimermodus

Gebruikerstimer - Om de standaard fabriekstimermodi opnieuw te programmeren: Zorg ervoor dat de afstandsbediening is geactiveerd, navigeer met de OMHOOG-/OMLAAG-knoppen naar de gebruikerstimer

1. Druk op Enter wanneer  knippert
2. Druk op > Zodra het WIJZIGEN-icoontje knippert, druk op Enter
De dagen van de weken worden nu bovenaan het scherm weergegeven.
Dag 1 = Maandag
Dag 2 = Dinsdag
Dag 3 = Woensdag
Dag 4 = Donderdag
Dag 5 = Vrijdag
Dag 6 = Zaterdag
Dag 7 = Zondag
4. Druk op > om naar de gewenste dag te gaan en druk op Enter om deze te selecteren.
5. P1 zal op het scherm verschijnen
6. Druk op Enter om P1 te selecteren, of druk op > om naar P2, P3 of P4 te gaan. Druk op Enter om een programma te selecteren.
7. AAN wordt getoond
8. Druk op < of > om het uur van inschakelen aan te passen, druk op Enter om te bevestigen
9. Druk op < of > om de minuten van inschakelen aan te passen, druk op Enter om te bevestigen
- 10. Druk op < of > om de temperatuurinstellingen aan te passen, druk op Enter om te bevestigen**
- 11. UIT wordt getoond**
12. Druk op < of > om het uur van uitschakelen aan te passen, druk op Enter om te bevestigen
13. Druk op < of > om de minuten van uitschakelen aan te passen, druk op Enter om te bevestigen

Druk op Enter om programma P2 te wijzigen, volg stappen 5-12. Druk op > om naar P3 te gaan

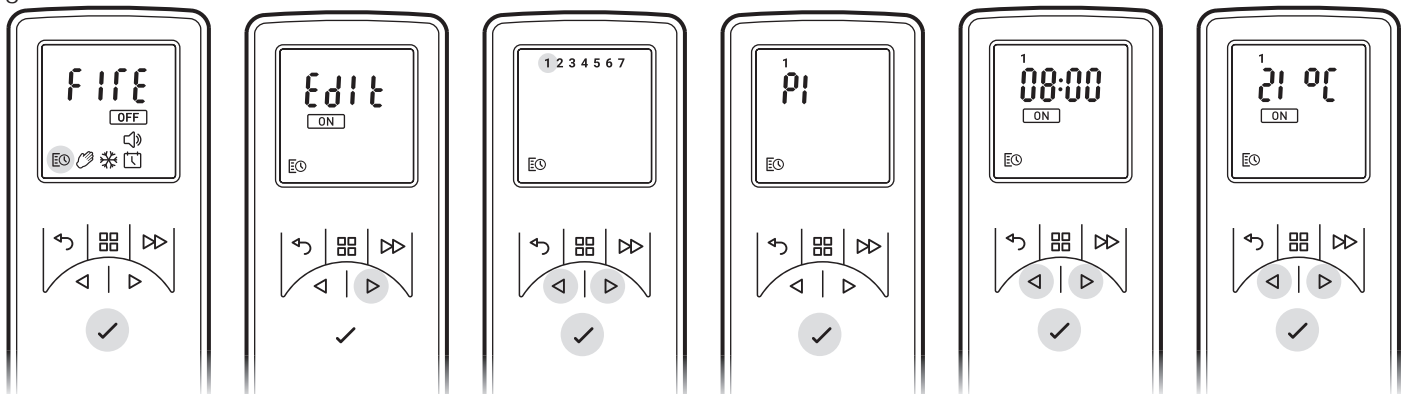
Druk op Enter om programma P3 te wijzigen, volg stappen 5-12. Druk op > om naar P4 te gaan

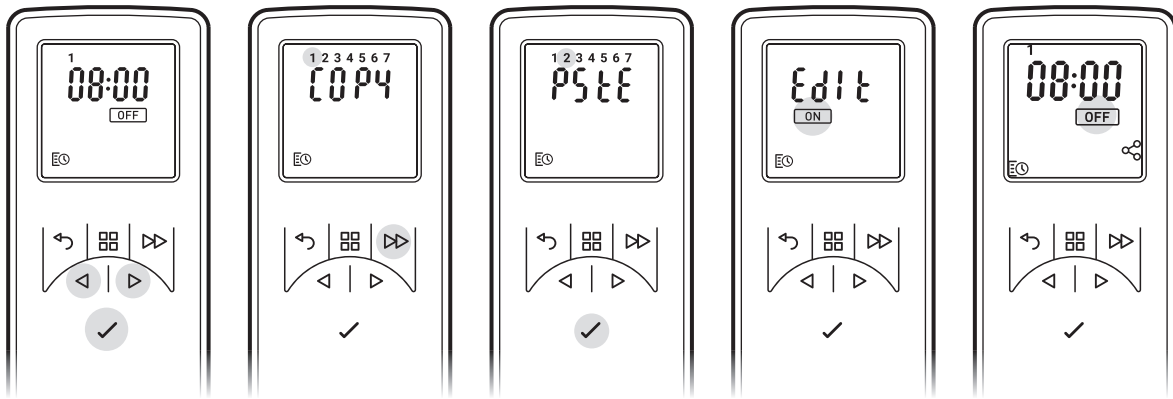
Druk op Enter om programma P4 te wijzigen, volg stappen 5-12

Om nieuw geprogrammeerde P1-P4 verwarmingsprogramma's naar andere dagen te kopiëren, houdt u de knop ADV ingedrukt. KOPIËREN verschijnt vervolgens op het scherm. Gebruik de OMHOOG-/OMLAAG-knoppen om naar andere dagen te gaan. Terwijl de dag knippert houdt u de ENTER-knop ingedrukt om te plakken. PLAKKEN verschijnt om de instelling te bevestigen.

Druk op de TERUG-knop om het scherm van de gebruikerstimer weer te geven. Gebruik de OMHOOG-/OMLAAG-knoppen om te navigeren. AAN knippert. Druk op ENTER om de instelling van de gebruikerstimer te bevestigen. Met deze instelling zal het product in- en uitschakelen op de door u gekozen tijdstippen.

Om de gebruikerstimer uit te schakelen, activeert u de afstandsbediening, UIT knippert. Druk op ENTER om te bevestigen.



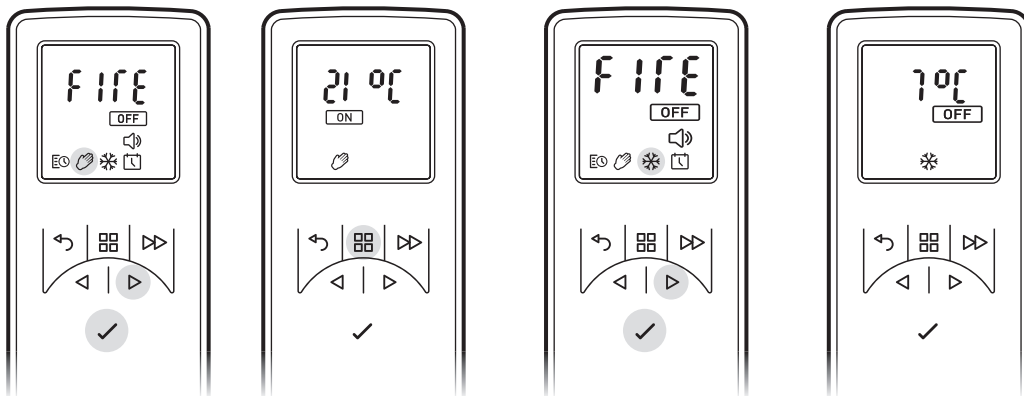


Handmatige modus - Om een constante verwarmingsmodus te kiezen. Deze modus negeert de gebruikerstimer en handhaaft de weergegeven temperatuur.

- Klik op de Menu-knop
- Druk op < of > om het Hand-icoontje te selecteren
- Druk op Enter om te bevestigen
- Gebruik < en > om de gewenste temperatuur in te stellen.

Vorstbescherming - De vorstbeschermingsmodus handhaaft een kamertemperatuur van 7°C gedurende 24 uur. Deze modus moet worden gebruikt om bescherming te bieden tegen vorst, zoals aangegeven door het vorst-icoontje.

- Druk op de Menu-knop
- Druk op < of > om het sneeuwvlok-icoontje te selecteren
- Druk op Enter om te bevestigen
- Druk op < of > om deze modus te verlaten en naar de handmatige modus te gaan.



Het gewenste haardeffect instellen

1. Zorg ervoor dat de afstandsbediening is geactiveerd en UIT op het scherm knippert. Gebruik de OMHOOG-knop totdat HAARD knippert en druk op ENTER. De huidige instelling wordt getoond. Druk op < of > om te wisselen tussen F1 en F6. F1 is de laagste instelling en F6 de hoogste.
2. Over het algemeen zien de vlammen er realistischer uit wanneer de vlamregelaar zachter staat.
3. Geef de vlamgenerator tijd om te reageren op veranderingen die u aanbrengt.
4. Het vuur zal minder water verbruiken als het haardeffect op een lager niveau wordt ingesteld.
5. Kantel of verplaats de haard niet terwijl er water in de tank of opvangbak zit.
6. Zorg ervoor dat de haard op een vlakke ondergrond staat.

Het scherm aanpassen

De maximale ingestelde temperatuur op het product is 30°C U heeft de mogelijkheid deze instelwaarde te verlagen. U kunt °C ook wijzigen in °F

1. Druk op de Menu-knop.
2. Druk op < of > tot het icoontje knippert.
3. Druk op Enter om te bevestigen.
4. Druk op de MENU-knop en houdt deze ingedrukt todat °C en °F worden weergegeven.
5. Druk op < of > om een keuze te maken tussen °C en °F. Druk op ENTER om te bevestigen.
6. Druk op < of > om uw maximum temperatuur instelpunt te kiezen.
7. Druk op de TERUG-knop om terug te keren naar het beginscherm.

Adaptieve start

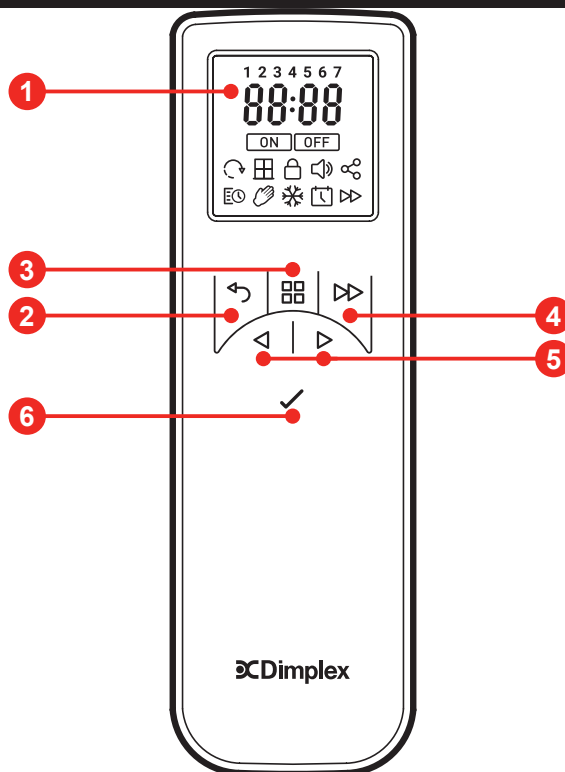
De ingebouwde elektronica in dit apparaat heeft een leerfunctie met betrekking tot hoelang het duurt om een ruimte op te warmen. Nadat het apparaat heeft geleerd hoe snel het uw kamer kan opwarmen, kan het op precies het juiste moment

inschakelen om de kamer op een comfortabele temperatuur te brengen wanneer u dat wilt. Als u bijvoorbeeld om 7 uur 's ochtends opstaat, moet u normaal gesproken gokken hoe laat u de verwarming moet aanzetten om de kamer op tijd voor te verwarmen. Afhankelijk van hoe koud het buiten is, kan dit betekenen dat de kamer nog steeds koud is als u uit bed moet komen, of dat het al een half uur warm is voordat het nodig was. Adaptieve start betekent dat als u 21°C om 7 uur 's ochtends selecteert, de verwarming precies aangaat wanneer dat nodig is om dit doel te bereiken, zodat de verwarming bij zacht weer minder lang aanstaat en de kamer in de winter lekker warm is.

De adaptieve startfunctie wordt automatisch geactiveerd wanneer u de timermodus gebruikt.

Afstandsbediening

- 1 Display
- 2 'Terug'-knop
- 3 'Menu'-knop
- 4 'Geavanceerd'-knop
- 5 'Omhoog en omlaag'-pijlen
- 6 'Enter'-knop



Onderhoud

ALGEMENE TIPS

Gebruik in dit apparaat uitsluitend gefilterd water.

Zorg er altijd voor dat het apparaat op een vlakke ondergrond staat.

Als u het apparaat langer dan een week niet gebruikt, verwijder dan het water uit de lekbak en uit het waterreservoir en maak de opvangbak droog.

Eenmaal geïnstalleerd, mag dit apparaat nooit worden verplaatst of op zijn rug worden gelegd, zonder dat het water uit de opvangbak en de watertank zijn verwijderd.

Het apparaat mag nooit worden gebruikt als de lampen niet werken.

De lampen moeten regelmatig worden geïnspecteerd zoals beschreven onder 'Lampen vervangen'

VULLEN VAN HET WATERRESERVOIR

Wanneer het waterreservoir leeg is, schakelen de vlam- en rookeffecten uit en hoort u 2 hoorbare pieptonen.

Ga vervolgens als volgt te werk:

1. Zet Schakelaar 'A' op (0) (Fig. 10)
2. Til het brandstofbed voorzichtig op en leg het voorzichtig opzij.
3. Verwijder het waterreservoir door het naar boven en naar buiten op te tillen.
4. Plaats het waterreservoir in de gootsteen en verwijder de dop: draai tegen de klok in om hem te openen (Fig. 7).
5. Vul de tank alleen met gefilterd leidingwater. Dit is noodzakelijk om de levensduur van de vlam- en rookproducerende eenheid te verlengen.
Het water moet worden gefilterd door een conventioneel waterfilter en het filter moet regelmatig worden vervangen.
6. Schroef de dop er weer op; niet te vast aandraaien.
7. Plaats de waterreservoir weer in de opvangbak met de reservoirdop naar beneden gericht en de platte kant van het reservoir naar buiten. (Fig. 8).
8. Plaats het brandstofbed voorzichtig terug op zijn plek. (Fig. 9).
9. Zet Schakelaar 'A' op de stand (I) (Fig. 10)

LAMPEN VERVANGEN

Wanneer de vlam en het rookeffect grijs of kleurloos lijken, kan het zijn dat een of meer lampen stuk zijn.

U kunt lampstoringen als volgt controleren.

1. Laat het vlameffect aanstaan en til het brandstofbed en het waterreservoir omhoog.
2. Het moet mogelijk zijn om de lampen met het mondstuk op hun plek te zien, en te observeren welke moet worden

vervangen.

3. Zet schakelaar 'A' in de 'UIT'-stand en haal de stekker uit het stopcontact.
4. Laat het apparaat 20 minuten staan om de lampen te laten afkoelen, voordat u hen verwijderd.
5. Verwijder de opvangbak zoals wordt beschreven in het gedeelte Reiniging.
6. Verwijder de defecte lamp door deze voorzichtig verticaal op te tillen en de pinnen los te maken van de lamphouder, (Fig. 4 en 4a).
Vervang de lamp door een gekleurde OPTIMYST, 12V, 45W lamp met een Gu5.3-basis en 8° stralingshoek. (Gekocht bij onze leverancier)
7. Steek de twee pinnen van de nieuwe lamp voorzichtig in de twee gaten in de lamphouder. Druk stevig op zijn plek. (Fig. 4 en 4a).
8. Vervang de opvangbak, het mondstuk, het waterreservoir en het brandstofbed.

REINIGING

Opgelet: - Zet altijd schakelaar 'A' op de 'UIT'- (0) stand (Fig. 10) en haal de stekker uit het stopcontact alvorens de kachel te reinigen.

Vooraf in gebieden met hard water raden wij aan om de volgende onderdelen een keer per week te reinigen:

Waterreservoir, opvangbak, sproeikop, tankdop en afdichting, luchtfilter.

Gebruik voor normaal reinigen een zachte, schone stofdoek - gebruik nooit schuurmiddelen.

Voor het verwijderen van stofophopingen of pluis kan af en toe de zachte opzetborstel van de stofzuiger gebruikt worden om het rooster van de fan schoon te maken.

Waterreservoir

1. Verwijder het waterreservoir, zoals eerder beschreven, zet het in de gootsteen en giet het water eruit.
2. Gebruik de meegeleverde borstel om de binnenkant van de dop voorzichtig af te wrijven, waarbij u vooral let op de rubberen ring in de buitenste groef en de middelste rubberen afdichting.
3. Doe een kleine hoeveelheid afwasmiddel in het reservoir, plaats de dop terug en schud goed, spoel het vervolgens uit, totdat alle resten afwasmiddel zijn verdwenen.
4. Vul het reservoir alleen met gefilterd leidingwater, plaats de dop terug en draai hem niet te vast.

Opvangbak

1. Zet schakelaar 'A' op de 'UIT'- (0) stand
2. Til het brandstofbed er voorzichtig uit en plaats het voorzichtig op de grond.
3. Verwijder het waterreservoir door het naar boven te tillen.
4. Ontkoppel de elektrische connector aan de rechterkant van de opvangbak. (Fig. 5)
5. Maak de rechtervergrendelingen van de opvangbak los door deze 90° te draaien. Hierdoor kan de opvangbak volledig van zijn plek worden getild. (Fig. 11)
6. Til de opvangbak voorzichtig op en zorg ervoor dat hij waterpas blijft, zodat u geen water morst. Plaats hem in de gootsteen.
7. Maak de linkervergrendelingen van de opvangbak los door deze 90° te draaien en til vervolgens het mondstuk op. (Fig. 3)
8. Til de omzetter eruit en kantel deze voorzichtig, zoals afgebeeld, zodat de vloeistof uit de opvangbak kan lopen. (Fig. 13)
9. Doe een kleine hoeveelheid afwasmiddel in de opvangbak en gebruik de meegeleverde borstel om alle oppervlakken in de opvangbak en de omzetter voorzichtig schoon te maken, inclusief de metalen schijven in het bovenste gegroefde oppervlak. (Fig. 14)
10. Reinig na het afwassen de opvangbak grondig met schoon water en zorg dat er geen afwasmiddelresten achter blijven.
11. Reinig het mondstuk met de borstel en spoel het grondig uit met water. (Fig. 15)
12. Voer de bovenbeschreven stappen in omgekeerde volgorde uit om het geheel weer in elkaar te zetten.

Luchtfilter

1. Til het brandstofbed er voorzichtig uit en plaats het voorzichtig op de grond.
2. Schuif het luchtfilter voorzichtig omhoog uit de plastic houder. (Fig. 16)
3. Spoel zachtjes met water in de gootsteen af en droog af met een theedoek, voordat het filter terugplaatst.
4. Vervang het filter en zorg ervoor dat het grove zwarte filter naar de voorkant van het vuur wijst.
5. Vervang het brandstofbed.

Extra informatie

AFTERSALES SERVICE

Uw product heeft vanaf de datum van aankoop twee jaar garantie. Binnen deze periode repareren of nemen wij het product gratis terug (m.u.v. lampen & op basis van beschikbaarheid), op voorwaarde dat het volgens deze instructies is geïnstalleerd en gebruikt. Uw rechten volgens deze garantie zijn een aanvulling op uw statutaire rechten die op hun beurt niet door deze garantie worden beïnvloed.

RECYCLEN



Voor elektrische producten verkocht binnen de Europese Gemeenschap - Aan het einde van de levensduur van elektrische producten mogen ze niet met het huishoudvuil weg worden gegooid. Recycle waar faciliteiten aanwezig zijn. Raadpleeg uw plaatselijke autoriteit of winkelier voor de recyclerichtlijnen in uw land.

PATENT/PATENTAANVRAAG

Producten van het Optimyst-assortiment worden beschermd door een of meer van de volgende patenten en octrooiaanvragen:

Verenigd Koninkrijk GB 2402206, GB 2460259, GB 2460453, GB 2418014, GB 2465738, GB 2449925, GB 2465537, GB 2455277, GB1020534.2, GB1020537.5, GB1110987.3

Verenigde Staten US 7967690, US 2010299980, US 2011062250, US 2008028648, US 13/167,042

Rusland RU2008140317

Europa EP 2029941, EP 2201301, EP 2315976, EP 1787063, EP07723217.1, EP11170434.2, EP 11170435.9

China CN 101883953, CN 200980128666.2, CN 101057105, CN 101438104

Australië AU 2009248743, AU 2007224634

Canada CA 2725214, CA 2579444, CA 2645939

Internationale patentaanvraag WO 2006027272

Zuid-Afrika ZA 200808702

Mexico MX 2008011712

Korea KR 20080113235

Japan JP 2009529649

Brazilië BR P10708894-9

India IN 4122/KOLNP/2008

Nieuw-Zeeland NZ 571900

Probleemoplossen		
Symptoom	Oorzaak	Corrigerende actie
Het vlameffect start niet.	De stekker is niet aangesloten. Laag waterniveau. Laagspanningsconnector niet goed aangesloten. (Fig. 5) De omzetter is niet juist in de opvangbak geplaatst.	Controleer of de stekker correct in het stopcontact zit. Controleer of het waterreservoir vol is en er water in de opvangbak zit. Controleer of de stekker correct is geplaatst. (Fig. 5) Zorg ervoor dat de omzetter in de gegoten uitsparing van de opvangbak zit.
Het vlameffect is te laag.	Vlameffectknop is te laag ingesteld. (Fig. 10) De metalen schijf in de omzetter is mogelijk vuil (zie Fig. 14). De draad van de eenheid van de omzetter zit op de metalen schijf.	Verhoog het vlamniveau met behulp van de afstandsbediening (zie het gedeelte Het systeem bedienen) Reinig de metalen schijf met meegeleverde zachte borstel. (Fig. 14) Zie 'Onderhoud' voor een stapsgewijze procedure. Leid de draad naar de achterkant van de opvangbak en zorg ervoor dat deze in de zijspanning zit die uit de opvangbak komt.
Onaangename geur tijdens gebruik apparaat.	Vies of oud water. Ongefilterd kraanwater gebruikt.	Reinig het apparaat, zoals beschreven bij Onderhoud. Gebruik alleen gefilterd kraanwater.
Het vlameffect heeft te veel rook.	Instelling vlameffect is te hoog.	Draai de regelknop 'D' voor het vlameffect naar rechts, ongeveer een kwartslag per keer. Geef de vlamgenerator enige tijd om zich aan te passen aan de nieuwe instelling. (Fig. 10)
De hoofdlampen werken niet en er zijn geen vlammen of rook.	Er zit geen water in de watertank.	Volg de instructies onder Onderhoud, 'Het vullen van het waterreservoir'. Controleer of de stekker correct is aangesloten op het stopcontact en dat schakelaar 'A' in Fig. 10 is ingeschakeld stand (I).

Introduction

Veillez lire soigneusement ce guide d'informations pour pouvoir installer, utiliser et entretenir votre produit en toute sécurité.

Conseils de sécurité importants

ATTENTION : LE NON-RESPECT DE CES INSTRUCTIONS PEUT CAUSER DES BLESSURES ET / OU DES DOMMAGES ET PEUT INVALIDER VOTRE GARANTIE

Conseils de sécurité importants

Toujours observer des précautions de base en cas d'utilisation d'appareils électriques, afin de réduire le risque d'incendie, de chocs électriques et de blessures personnelles, notamment :

- Si l'appareil est endommagé, vérifier auprès du fournisseur avant son installation et fonctionnement.
- Ne pas utiliser à l'extérieur.
- Ne pas utiliser à proximité immédiate d'une baignoire, douche ou piscine.
- Ne pas situer l'appareil immédiatement en dessous d'une prise fixe ou d'un boîtier de raccordement.

Avertissement : Cet appareil de chauffage ne doit pas être utilisé à des fins autres que domestiques normales dans le pays où il a été acheté auprès d'un détaillant reconnu.

Cet appareil peut être utilisé par des enfants âgés d'au moins 8 ans et des personnes ayant des incapacités physiques, sensorielles ou mentales ou manquant d'expérience et de connaissances, pourvu qu'ils bénéficient d'une surveillance ou des instructions sur l'utilisation de l'appareil en toute sécurisée et qu'ils comprennent les risques encourus. Les enfants ne doivent pas jouer avec l'appareil. Son nettoyage et son entretien ne doivent pas être effectués par des enfants laissés sans surveillance. Les enfants de moins de 3 ans doivent être tenus éloignés, à moins d'être continuellement supervisés. Les enfants âgés de 3 ans et plus et de moins de 8 ans peuvent uniquement allumer / éteindre l'appareil, pourvu qu'il soit placé ou installé dans sa position d'utilisation normale, qu'ils bénéficient d'une surveillance ou d'instructions quant à l'utilisation de l'appareil de façon sécurisée et qu'ils comprennent les risques encourus. Les enfants âgés entre 3 et 8 ans ne doivent pas brancher, régler et nettoyer ou entretenir l'appareil.

Avertissement : Cet appareil doit être mis à la terre.

L'utilisation d'une rallonge ou d'un adaptateur multibroche n'est pas conseillée lors de la connexion de ce produit au secteur. La connexion à travers ces dispositifs pourrait entraîner un risque de surcharge, de surchauffe et même d'incendie au niveau de la rallonge ou de l'adaptateur en raison d'une qualité de connexion inadéquate.

Cet appareil de chauffage doit être utilisé en courant alternatif uniquement (~) et la tension d'alimentation du secteur doit correspondre à la tension indiquée sur l'appareil.

Ne pas utiliser cet appareil en série avec une commande thermique, un contrôleur de programme, un minuteur ou tout autre dispositif qui allume le chauffage automatiquement, puisqu'il existe un risque d'incendie lorsque le radiateur est couvert ou déplacé accidentellement.

N'utilisez PAS l'appareil de chauffage sur des tapis à poils épais ou sur des tapis à poils longs, ou à moins de 750 mm de toute surface en surplomb. Tenez les combustibles tels que les rideaux et autres meubles à l'écart de l'avant, des côtés et de l'arrière de l'appareil de chauffage. N'utilisez pas l'appareil de chauffage pour sécher votre linge.

En cas de panne, débrancher l'appareil. Débrancher l'appareil s'il n'est pas utilisé sur de longues périodes.

L'appareil doit être placé de manière à pouvoir accéder à la prise. Si le cordon d'alimentation est endommagé, il doit être remplacé par le fabricant ou l'agent de service, ou par une personne pareillement qualifiée afin d'éviter tout danger. Tenir le cordon d'alimentation éloigné de la façade de l'appareil.

Avertissement : Certains éléments de ce produit peuvent devenir très chauds et provoquer des brûlures. Il faut payer une attention particulière lorsque des enfants et personnes vulnérables sont présentes.

Avertissement : Afin d'éviter la surchauffe, ne pas couvrir l'appareil. Ne pas placer d'objets ou de vêtements sur l'appareil, ni gêner la circulation de l'air autour de l'appareil, par exemple avec des rideaux ou des meubles. Cela pourrait provoquer une surchauffe, voire un risque d'incendie. L'appareil porte une étiquette d'avertissement NE PAS COUVRIR.

Avertissement : Afin d'éviter tout danger lié à une réinitialisation accidentelle du coupe-circuit thermique, cet appareil ne doit pas être alimenté par un dispositif de commutation externe (un minuteur par exemple) ou raccordé à un circuit qui est allumé et éteint régulièrement par le service.

Informations générales

N'utilisez que de l'eau filtrée dans cet appareil.

Assurez-vous toujours que l'appareil est placé sur une surface plane.

Bien que cet appareil respecte les normes de sécurité, nous ne recommandons pas son utilisation sur de la moquette très épaisse ou sur des tapis à poils longs.

Remarque : Utilisé dans un environnement où le bruit de fond est très faible, l'effet flamme s'accompagne d'un son audible dans un environnement silencieux. C'est normal et cela ne doit pas susciter d'inquiétudes.

Si ce produit subit une surtension pour quelque raison que ce soit, il peut être coupé. Ceci est une caractéristique de sécurité normale et le produit reprendra son fonctionnement après 30 secondes.

Une fois installé, l'appareil ne doit ni être déplacé ni posé à l'envers sans vidanger l'eau du bac et du réservoir.

Si vous prévoyez de ne pas utiliser l'appareil pendant plus d'une semaine, vidangez l'eau du bassin et du réservoir et séchez le bassin.

Le réservoir d'eau, le bac, le couvercle du bac, le bouchon du réservoir et les filtres à air doivent être nettoyés chaque semaine, en particulier dans les zones d'eau dure.

L'appareil ne doit jamais être utilisé si les lampes ne fonctionnent pas.

Les lampes doivent être régulièrement inspectées comme décrit dans la section « Entretien » et « Remplacement des lampes ».

Informations techniques

Numéro du modèle : ENG56-400 E, ENG68-400 E, ENG56-600 E

Puissance calorifique		230 V	240 V	
Puissance calorifique nominale	P_{Nom}	1,8	2,0	kW
Puissance calorifique minimale	P_{min}	0,9	1,0	kW
Production maximale de chaleur continue	P_{max}	1,8	2,0	kW
Consommation d'électricité auxiliaire				
En mode veille	P_{Nom}	0,45	0,48	W

contrôle électronique de la température de la pièce et temporisateur hebdomadaire

Instructions d'installation

Cette section décrit comment configurer votre foyer.

AVANT DE COMMENCER

1. Assurez-vous que tous les éléments d'emballage sont retirés (lisez attentivement toutes les étiquettes d'avertissement) et conservez tous les emballages pour une utilisation future possible, par ex. en cas de déménagement ou de restitution de l'appareil à votre fournisseur.
2. Avant de brancher l'appareil, vérifiez que la tension d'alimentation est la même que celle indiquée sur celui-ci.

Installation dans un manteau de cheminée

1. Lorsque vous installez cet appareil dans un manteau de cheminée, assurez-vous de choisir un manteau adapté à votre appareil (Fig. 18). Il doit y avoir un évent à l'avant du manteau de la cheminée d'au moins 88 cm². C'est indispensable pour que l'air puisse circuler dans l'appareil - sinon l'effet de flamme Opti-myst Ne fonctionnera pas correctement. Cette voie d'air ne doit pas être obstruée
2. Retirez les 4 supports d'espacement à l'avant de l'appareil (Fig 19)
3. Glissez complètement l'appareil dans le manteau de la cheminée par l'arrière en vous assurant qu'il est au centre du manteau. À l'aide de vis appropriées (non fournies), vissez l'appareil en place (Fig 20)
4. Assurez-vous de placer le foyer à moins de 1 m d'une prise de courant (Fig 21)

Installation dans un mur ou une cavité

1. Notez les dimensions du produit sur la figure 1 et construisez une structure appropriée pour que l'appareil s'insère dans un rayon de 1 m d'une prise de courant (Fig 22). À l'aide de vis appropriées (non fournies), vissez l'appareil en place
2. Notez les fentes d'aération de l'appareil. Elles sont situées à la base avant et sous l'appareil
3. Construisez le mur contre l'appareil en utilisant les supports d'espacement comme guide.
4. Il doit y avoir un évent à l'avant de la structure d'au moins 88 cm². Il est essentiel de s'assurer que l'air puisse circuler dans l'appareil - sinon l'effet de flamme Opti-myst ne fonctionnera pas correctement. Cette voie d'air ne doit pas être obstruée. Pour des exemples d'évent dans un mur ou une cavité, voir Fig. 23

Connexion de l'unité de transducteur + lampes

1. Relâchez les deux onglets rouges en les tournant de 90 degrés (Fig 2)
2. Soulevez la buse de puisard (Fig 3)
3. Insérez les lampes dans les supports de lampe (Fig 4), en plaçant soigneusement les broches dans les trous (Fig 4a)
4. Poussez les lampes fermement en place
5. Placer l'unité de transducteur dans le puisard et joindre le câble au connecteur sur le puisard (Fig 5)
6. Pour s'assurer que l'unité de transducteur est correctement placée dans le puisard, la languette de l'unité doit être alignée avec le renforcement moulé dans le puisard (Fig 5a)
7. Assurez-vous que le câble n'est pas placé au-dessus du disque sur l'unité de transducteur (Fig 5b). Pour empêcher le câble de se pincer entre la buse et le puisard, placez-le dans la fente de la paroi du puisard
8. Remplacez la buse de puisard et fixez-la en tournant les deux languettes rouges de 90 degrés (Fig 6)

Remplir le réservoir d'eau

9. Placez le réservoir d'eau dans l'évier et retirez le bouchon (tourner dans le sens inverse des aiguilles d'une montre pour l'ouvrir) (Fig 7)
10. Remplir le réservoir avec l'eau du robinet filtrée seulement. Ceci est nécessaire pour prolonger la durée de vie de l'unité de production de la flamme et de la fumée. L'eau doit être filtrée à travers un filtre à eau domestique conventionnel et le filtre doit être remplacé régulièrement. L'eau distillée ne doit pas être utilisée
11. Revisser le bouchon, ne pas trop serrer
12. Remettre le réservoir dans le puisard, avec le bouchon du réservoir vers le bas et le côté plat du réservoir vers l'extérieur (Fig 8)

Assemblage du foyer

13. Placez le lit de combustible au-dessus du réservoir d'eau et de la buse de brouillard (Fig 9)

Fonctionnement du produit

AVERTISSEMENT : LE NON-RESPECT DE CES INSTRUCTIONS D'UTILISATION PEUT ENTRAÎNER DES BLESSURES ET/OU DES DOMMAGES.

Commandes manuelles

Les commandes manuelles Opti-myst sont situées à la base de l'appareil.

(Voir Fig. 10 pour la disposition des commandes manuelles)

Interrupteur A : contrôle l'alimentation électrique du foyer.

Remarque : cet interrupteur doit être en position « MARCHE » (I) pour que le foyer fonctionne avec ou sans chaleur lorsqu'il est activé.


Interrupteur B : appuyez une fois sur cet interrupteur  pour activer l'effet de flamme. Ceci sera indiqué par un « bip » audible. Bien que les lumières principales fonctionnent immédiatement, il faut attendre 45 secondes avant que l'effet de flamme ne commence.

Appuyez sur le bouton  pour mettre le feu en mode veille. Ceci sera indiqué par un « bip ».

Télécommande

La télécommande est emballée avec 2 piles AA dans un sac. Soulevez le couvercle des piles situé à l'arrière de la télécommande et insérez les piles en respectant la polarité.

La télécommande a déjà été appariée à votre produit lors du montage en usine. Dans le cas peu probable où la télécommande se déconnecte du produit, ou si vous obtenez une télécommande de rechange, vous devrez réaliser le processus d'appairage :

1. Une fois le produit branché, mettez l'interrupteur A en position MARCHE (I). Vous devez entendre un bip sonore.
2. Appuyez sur « Bouton 6 » et maintenez-le enfoncé jusqu'à ce que COUPLER apparaisse sur l'écran.
3. Approchez la télécommande de l'appareil où se trouve le récepteur . Voir Fig. 17
4. Le produit va commencer à émettre des bips et à clignoter.
5. Appuyez sur « Bouton 6 » pour terminer le processus d'appairage. L'appareil passera alors en mode veille.

Mise en marche de l'appareil

Appuyez sur la touche ENTRER et maintenez-la enfoncée pendant 3 secondes pour activer la télécommande. Le mot FEU


va s'afficher et le bouton MARCHE clignoter. Appuyez sur la touche ENTRER pour allumer l'appareil. Les lampes s'allument et l'effet de flamme apparaît après environ 45 secondes.

Réglage de la flamme

Avec la télécommande activée. FEU s'affiche et ARRÊT clignote sur l'écran. Appuyez sur le bouton PLUS jusqu'à ce que le symbole FEU clignote. Appuyez sur ENTRER. Le réglage actuel de la flamme va s'afficher F1-F6. Appuyez sur les boutons PLUS et MOINS pour régler le paramètre ; le produit émettra un bip une fois la sélection effectuée. Après avoir sélectionné le réglage de la flamme, appuyez sur RETOUR pour quitter le menu et revenir à l'écran d'accueil.


Sélectionner le réglage du chauffage

Vous avez la possibilité de régler le chauffage à un niveau élevé (EL), faible (FA) ou d'interrompre complètement le chauffage (ARRÊT). Connectez la télécommande à l'appareil si vous ne l'avez pas encore fait. Utilisez les boutons PLUS et MOINS pour

naviguer jusqu'au symbole  qui clignote. Appuyez sur la touche ENTRER, 21°C s'affiche à l'écran et ARRÊT clignote, le chauffage se met en marche. Ensuite, appuyez et maintenez la touche ADV jusqu'à ce que EL/FA ou ARRÊT apparaisse (le réglage par défaut respectif clignote). Utilisez les touches PLUS et MOINS pour sélectionner le réglage souhaité. Confirmez votre réglage à l'aide de la touche ENTRER. L'écran revient en arrière et 21°C s'affiche. ARRÊT clignote. Si vous confirmez ARRÊT avec la touche ENTRER, le chauffage s'éteindra et vous reviendrez à l'écran d'accueil.

REMARQUE : avec le réglage ARRÊT, le chauffage est complètement éteint et ne peut pas être démarré avec le réglage manuel. Si le chauffage est nécessaire, nous recommandons le réglage EL ou FA.

Réglage du thermostat

Avec la télécommande activée. Naviguez avec les boutons plus/moins jusqu'au symbole de la main . Le symbole de la main clignote. Appuyez sur la touche ENTRER, 21 °C apparaît et le chauffage se met en marche ; ARRÊT clignote. Toutefois, ceci n'est valable que si le préréglage EL ou FA a été effectué auparavant. Le chauffage fonctionne jusqu'à ce que la température ambiante de 21 °C soit atteinte. Avec les boutons plus/moins, vous pouvez régler la température souhaitée si nécessaire. Si vous décidez d'arrêter le chauffage, il vous suffit d'appuyer sur la touche ENTRER lorsque ARRÊT clignote. Le programme revient alors à l'écran d'accueil.


Coupure de sécurité thermique

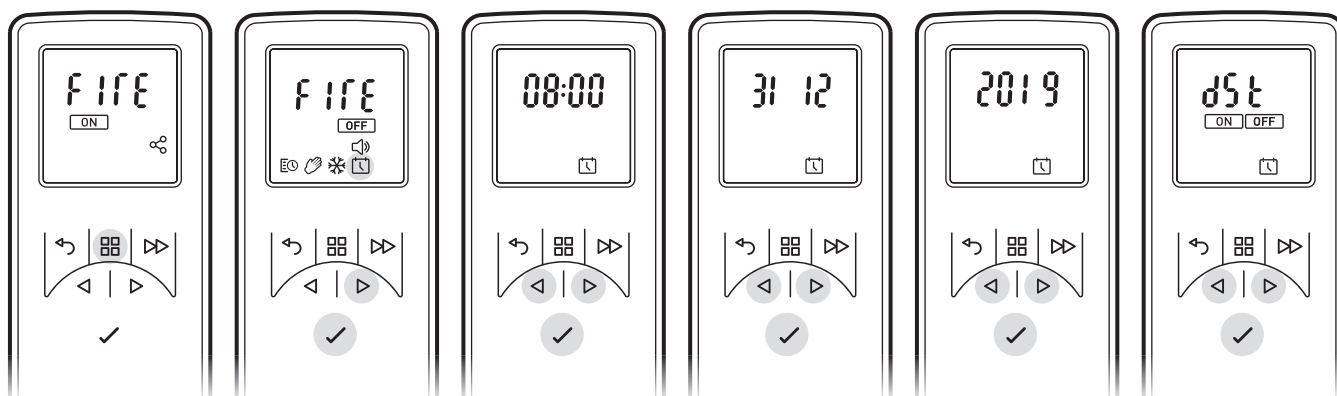
Un interrupteur de sécurité thermique est incorporé dans le radiateur soufflant pour éviter tout dommage dû à une surchauffe. Cela peut se produire si la sortie de chaleur a été limitée de quelque manière que ce soit. En cas de coupure, débranchez l'appareil de la prise de courant et attendez environ 10 minutes avant de le rebrancher. Avant de remettre l'appareil en marche, enlevez tout objet qui pourrait bloquer la sortie de chaleur, puis laissez-le fonctionner normalement.

ATTENTION : afin d'éviter tout danger dû à une réinitialisation par inadvertance de la protection thermique, cet appareil ne doit pas être alimenté par un interrupteur externe, tel qu'un minuteur, ni connecté à un interrupteur étant régulièrement activé et désactivé par le service public.


Réglage de la date et de l'heure

Pour régler la date et l'heure sur le radiateur lorsque la télécommande est activée, naviguez grâce au bouton PLUS/MOINS jusqu'à l'icône Date et heure.


1. Appuyez sur Entrer lorsque l'icône  clignote.
2. Appuyez sur les touches < et > pour régler l'heure, puis appuyez sur Entrer.
3. Appuyez sur < et > pour régler les minutes, appuyez sur Entrer pour confirmer l'heure.
4. Appuyez sur les touches < et > pour régler le Jour, puis appuyez sur Entrer.
5. Appuyez sur les touches < et > pour régler le mois, puis appuyez sur Entrer.
6. Appuyez sur < et > pour définir l'année, puis appuyez sur Entrer pour confirmer.
7. Appuyez sur < et > pour sélectionner MARCHE/ARRÊT pour l'heure d'été, puis appuyez sur Entrer pour confirmer et revenir à l'écran d'accueil.



Modes de fonctionnement à distance


Minuteur utilisateur  : offre une plus grande flexibilité à l'utilisateur. Quatre créneaux horaires sont disponibles tout au long de la journée et peuvent être personnalisés pour chaque jour de la semaine. Voir « Comment régler les modes de minuterie » pour obtenir des instructions sur le réglage de ces modes à partir des périodes et des températures par défaut.

Mode manuel  : ce mode chauffe la pièce à la température que vous avez réglée sur la télécommande.

Protection contre le gel  : ce mode maintient la température de la pièce à 7 °C. Ce mode doit être utilisé pour assurer une protection contre le givre, comme l'indique l'icône de givre.

Choix et réglage d'un mode de minuteur utilisateur

Minuteur utilisateur - Pour reprogrammer les modes de minuterie par défaut : lorsque la télécommande est activée, naviguez avec les boutons PLUS/MOINS jusqu'à la minuterie utilisateur.

1. Appuyez sur la touche Entrer lorsque  clignote.
2. Appuyez sur > lorsque l'icône EDIT clignote, puis appuyez sur Entrer.

*

Les jours de la semaine sont maintenant affichés en haut de l'écran* Jour 1 = Lundi

Jour 2 = Mardi

Jour 3 = Mercredi

Jour 4 = jeudi

Jour 5 = vendredi

Jour 6 = samedi

Jour 7 = dimanche

4. Appuyez sur > pour naviguer jusqu'au jour souhaité et appuyez sur Entrer pour le sélectionner.
5. P1 va s'afficher à l'écran.
6. Appuyez sur Entrer pour sélectionner P1 ou, pour naviguer vers P2, P3 ou P4, appuyez sur > et appuyez sur Entrer.
7. MARCHE va s'afficher.
8. Appuyez sur < ou > pour régler l'heure de mise en marche, puis appuyez sur Entrer pour confirmer.
9. Appuyez sur < ou > pour régler les minutes de la mise en marche, puis appuyez sur Entrer pour confirmer.
10. Appuyez sur < ou > pour ajuster le réglage de la température, puis appuyez sur Entrer pour confirmer.
11. ARRÊT va s'afficher.
12. Appuyez sur < ou > pour régler l'heure d'arrêt, puis appuyez sur Entrer pour confirmer.
13. Appuyez sur < ou > pour régler les minutes de l'arrêt, puis appuyez sur Entrer pour confirmer.

Appuyez sur Entrer pour modifier le programme P2, suivez les étapes 5 à 12, appuyez sur > pour passer à P3.

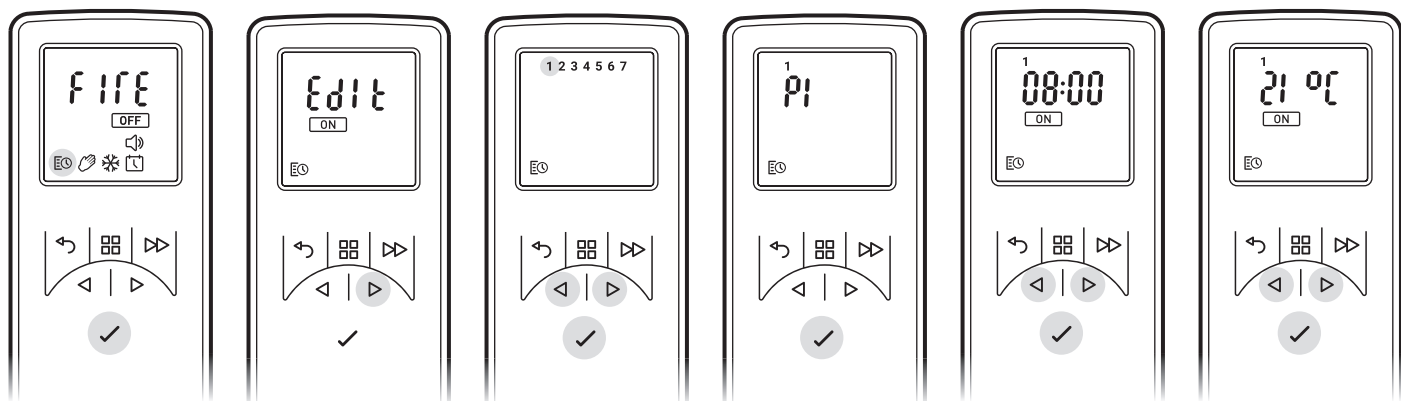
Appuyez sur Entrer pour modifier le programme P3, suivez les étapes 5-12, appuyez sur > pour passer à P4.

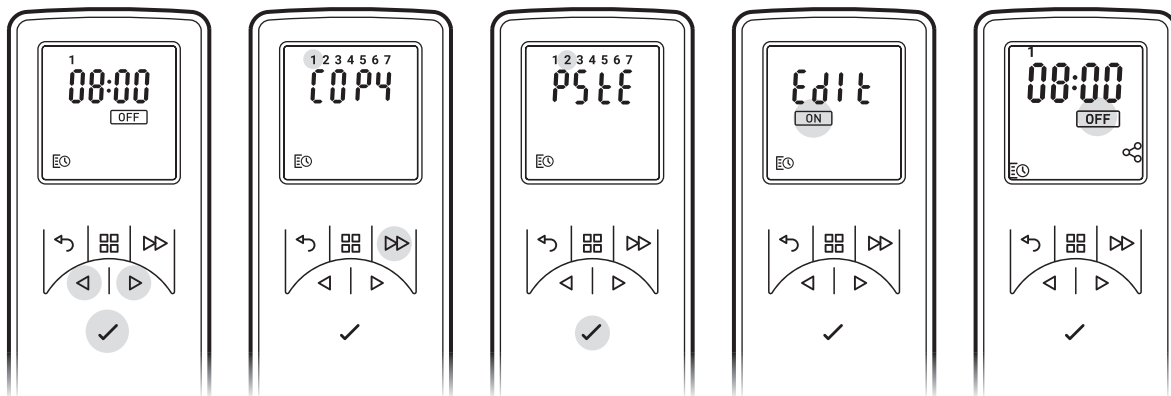
Appuyez sur la touche Entrer pour modifier le programme P4, suivez les étapes 5 à 12.

Pour copier les programmes de chauffage P1-P4 nouvellement programmés sur d'autres jours, appuyez sur le bouton ADV et maintenez-le enfoncé ; l'icône COPY va s'afficher. Naviguez à l'aide des boutons PLUS/MOINS jusqu'aux autres jours et appuyez sur la touche ENTRER pour coller. COLLER va s'afficher pour confirmer le réglage.


Appuyez sur la touche RETOUR pour revenir à l'écran de la minuterie utilisateur, utilisez les boutons PLUS/MOINS pour faire clignoter MARCHE et appuyez sur ENTRER pour confirmer le réglage de la minuterie utilisateur. Pendant ce réglage, le produit s'éteindra et se mettra en marche pendant la durée que vous avez sélectionnée.

Pour désactiver la minuterie utilisateur, activez la télécommande ; ARRÊT clignote. Appuyez sur ENTRER pour confirmer.



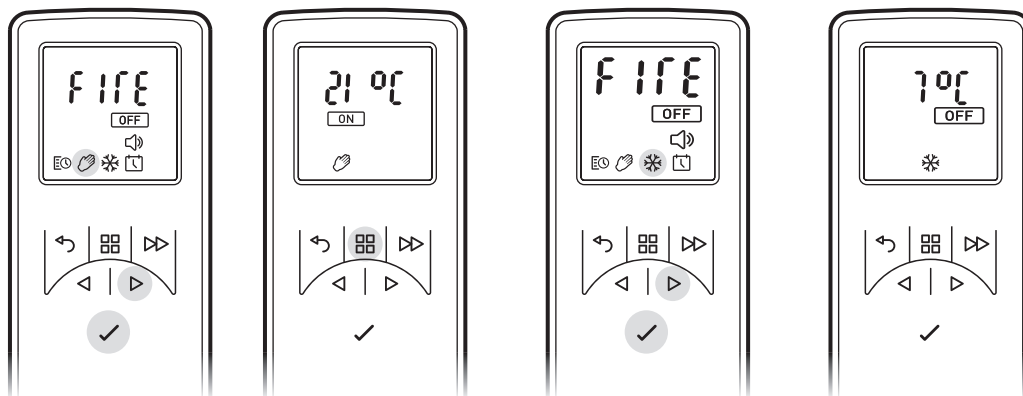


Mode manuel - Pour choisir un mode de chaleur constante. Ce mode ne tient pas compte de la minuterie utilisateur et maintient la température affichée.

- Appuyez sur le bouton Menu.
- Appuyez sur < ou > pour sélectionner l'icône main .
- Appuyez sur Entrer pour confirmer.
- Utilisez les touches < et > pour régler la température souhaitée.

Protection contre le gel - Le mode de protection contre le gel maintient une température ambiante de 7 °C pendant une période de 24 heures. Ce mode doit être utilisé pour assurer une protection contre le gel, comme l'indique l'icône Givre.

- Appuyez sur le bouton Menu.
- Appuyez sur < ou > pour sélectionner l'icône Flocon de neige .
- Appuyez sur Entrer pour confirmer.
- Appuyez sur < ou > pour quitter ce mode et passer en mode manuel.




Obtenir l'effet de flamme désiré

1. Avec la télécommande activée, ARRÊT sur l'écran clignote, utilisez le bouton PLUS pour faire clignoter FEU et appuyez sur ENTRER. Le réglage actuel sera affiché. Appuyez sur < ou > pour naviguer entre F1 et F6 (F1 étant le réglage le plus bas et F6 le réglage le plus élevé).
2. En général, les flammes semblent plus réalistes lorsque le contrôle de la flamme est désactivé.
3. Donnez au générateur de flammes le temps de réagir aux changements que vous pouvez apporter.
4. Le feu utilisera moins d'eau si l'effet de flamme est réglé à un niveau inférieur.
5. N'inclinez pas ou ne déplacez pas le feu tant qu'il y a de l'eau dans le réservoir ou la pompe.
6. Assurez-vous que le feu soit bien à plat.

Personnalisation de l'affichage

La température maximale du produit est de 30 °C. Vous avez la possibilité de réduire cette température. Vous pouvez également passer des degrés ° C aux degrés °F.

1. Appuyez sur le bouton Menu.
2. Appuyez sur < ou > pour naviguer jusqu'à ce que le symbole  clignote.
3. Appuyez sur la touche Entrer pour confirmer.
4. Appuyez et maintenez le bouton MENU enfoncé jusqu'à ce que les icônes °C et °F s'affichent.
5. Appuyez sur < ou > pour sélectionner °C ou °F. Appuyez sur ENTRER pour confirmer.
6. Appuyez sur < ou > pour choisir votre température maximale.
7. Appuyez sur la touche RETOUR pour revenir à l'écran d'accueil.

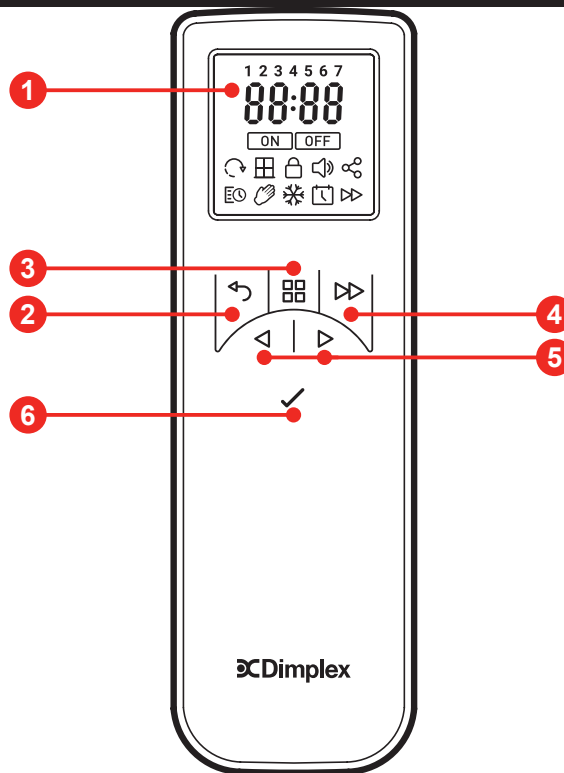
Démarrage adaptatif

L'électronique intégrée dans cet appareil a une fonction d'apprentissage en ce qui concerne le temps qu'il faut pour chauffer une pièce. Lorsqu'il aura appris à quelle vitesse il peut chauffer votre pièce, l'appareil sera capable de se mettre en marche au bon moment afin d'obtenir une température agréable quand vous le souhaitez. Par exemple, si vous vous levez

à 7 heures du matin, vous essayez habituellement de deviner à quel moment allumer le chauffage. En fonction de la température extérieure, cela peut signifier que la pièce est encore froide lorsque vous sortez du lit, ou qu'elle est chaude depuis une demi-heure sans que cela ne soit nécessaire. Avec le Démarrage adaptatif, si vous sélectionnez 21°C à 7 heures du matin, le chauffage se mettra en marche exactement au moment où il doit le faire pour atteindre cet objectif, en fonctionnant pendant des périodes plus courtes lorsque le temps est doux et en garantissant que la pièce est bien chaude en hiver. La fonction de Démarrage adaptatif s'active automatiquement lorsque vous utilisez le mode minuterie.

Télécommande

- 1 Écran d'affichage
- 2 Bouton de 'Retour'
- 3 Bouton de 'Menu'
- 4 Bouton 'Avancer'
- 5 Flèches 'Haut et Bas'
- 6 Bouton Entrée



Entretien

CONSEILS GÉNÉRAUX

N'utilisez que de l'eau filtrée du robinet dans cet appareil.

Assurez-vous toujours que l'appareil est placé sur une surface plane.

Si vous prévoyez de ne pas utiliser l'appareil pendant plus d'une semaine, vidangez l'eau du bassin et du réservoir.

Une fois installé, l'appareil ne doit ni être déplacé ni posé à l'envers sans vidanger l'eau du bac et du réservoir.

L'appareil ne doit jamais être utilisé si les lampes ne fonctionnent pas.

Les lampes doivent être régulièrement inspectées comme décrit dans la section « Remplacement des lampes ».

REEMPLIR LE RESERVOIR D'EAU

Lorsque le réservoir d'eau est vide, l'effet de flamme et de fumée s'éteint, vous entendrez 2 bips sonores. Suivez les étapes suivantes.

1. Appuyez sur le bouton « A » pour (0) (Fig. 10).
2. soulever délicatement le lit de carburant et mettez-le soigneusement de côté.
3. Retirez le réservoir d'eau en le soulevant et en le tirant vers l'extérieur.
4. Placez le réservoir d'eau dans l'évier et retirez le bouchon, dans le sens inverse des aiguilles d'une montre pour l'ouvrir. (Fig. 7)
5. Remplir le réservoir avec l'eau du robinet filtrée seulement. Ceci est nécessaire pour prolonger la durée de vie de l'appareil générateur de flamme et de fumée.
L'eau doit être filtrée à travers un filtre à eau domestique conventionnel et le filtre doit être remplacé régulièrement.
6. Revissez le bouchon, ne serrez pas trop.
7. Remettez le réservoir dans le puisard, avec le bouchon du réservoir vers le bas et le côté plat du réservoir vers l'extérieur. (Fig. 8)
8. Remettez délicatement le lit de combustible en place. (Fig. 9)
9. Placer l'interrupteur A sur ON (I) (Fig. 10).

CHANGER LES LAMPES

Si l'effet de flamme et de fumée apparaît grise ou incolore, il se peut qu'une ou plusieurs lampes soient défectueuses. Vous pouvez vérifier la défaillance de la lampe

1. En laissant l'effet de flamme allumé, soulevez le réservoir de carburant et le réservoir d'eau.

2. Il devrait être possible de voir les lampes avec la buse en place et d'observer celles qui doivent être changées.
3. Mettez l'interrupteur « A » en position « OFF » et débranchez le foyer du secteur.
4. Laissez l'appareil pendant 20 minutes pour permettre aux lampes de refroidir avant de les retirer.
5. Retirez le carter comme décrit dans la section intitulée Nettoyage.
6. Enlevez la lampe défectueuse en la soulevant délicatement verticalement et en dégageant les broches du porte-lampe, (Fig. 4 et 4a).
Remplacez avec une lampe colorée Dimplex OPTIMYST, 12V, 45W, base Gu5.3, angle de faisceau 8°. (Achetée chez notre fournisseur)
7. Insérez délicatement les deux broches de la nouvelle lampe dans les deux trous du support de lampe. Poussez la lampe fermement en place. (Fig. 4 et 4a).
8. Remplacer le carter d'huile, la buse, le réservoir d'eau et le réservoir d'essence.

NETTOYAGE

Avertissement – Placer l'interrupteur A à la position « OFF » (0) (Fig. 10) et déconnecter de l'alimentation électrique avant de nettoyer le foyer.

Nous vous recommandons de nettoyer les composants suivants une fois par semaine, en particulier dans les zones d'eau dure : -

Réservoir d'eau, carter, buse, bouchon de réservoir et joint, filtre à air.

Pour un nettoyage général, utiliser un chiffon de dépoussiérage propre. Ne jamais utiliser de produits nettoyants abrasifs. Utiliser la brosse douce d'un aspirateur de temps à autre pour nettoyer la grille du ventilateur et éliminer la poussière et les peluches qui se sont accumulées.

Réservoir d'eau

1. Retirez le réservoir d'eau, comme décrit précédemment, mettez-le dans l'évier et videz l'eau.
2. À l'aide de la brosse fournie, frottez doucement les surfaces intérieures du capuchon en portant une attention particulière à la bague en caoutchouc dans la rainure extérieure et au joint central en caoutchouc.
3. Mettez une petite quantité de liquide de vaisselle dans le réservoir, remettez le bouchon et secouez bien, rincez jusqu'à ce que toute trace de liquide vaisselle soit partie.
4. Remplir avec de l'eau du robinet filtrée uniquement, replacer le bouchon, ne pas trop serrer.

Carter

1. Placer l'interrupteur A à la position (0) OFF.
2. Soulevez délicatement le lit de carburant et posez-le soigneusement par terre.
3. Retirez le réservoir d'eau en le soulevant.
4. Débrancher le connecteur électrique situé sur le côté droit du puisard. (Fig. 5)
5. Relâcher les languettes de verrouillage du carter droit en les tournant à 90°. Enlevez le couvercle du bac pour le sortir complètement de son emplacement. (Fig. 11)
6. Soulevez doucement le bac, en prenant soin de garder le niveau afin de ne pas renverser de l'eau. Placez l'assemblage dans l'évier.
7. Relâcher les deux languettes de verrouillage du carter gauche en les tournant de 90°, puis enlever le couvercle du puisard. (Fig. 3)
8. Soulevez le transducteur et inclinez-le soigneusement pour que le liquide s'écoule du puisard. (Fig. 13)
9. Mettre une petite quantité de liquide de vaisselle dans le bac et, à l'aide de la brosse fournie, nettoyer délicatement toutes les surfaces dans le puisard et nettoyer délicatement le transducteur, y compris les disques métalliques et le joint en caoutchouc situé dans la surface rainurée supérieure. (Fig. 14)
10. Une fois nettoyé, rincer soigneusement le puisard avec de l'eau propre pour enlever toute trace de liquide vaisselle.
11. Nettoyez la buse avec la brosse et rincez abondamment à l'eau. (Fig. 15)
12. Inversez les étapes ci-dessus pour réassembler.

Filtre à air

1. Soulevez délicatement le lit de carburant et posez-le soigneusement par terre.
2. Faites glisser délicatement le filtre à air vers le haut hors de son support en plastique. (Fig. 16)
3. Rincer doucement avec de l'eau dans l'évier et sécher avec une serviette en tissu avant de retourner.
4. Remplacez le filtre en vous assurant que le filtre noir est bien en contact avec le support en plastique.
5. Remplacer le lit de carburant.

Informations supplémentaires

SERVICE APRÈS-VENTE

Votre produit est garanti un an à compter de la date d'achat. Au cours de cette période, nous nous engageons à réparer ou échanger ce produit sans frais (hors lampes et sous réserve de disponibilité), à condition d'avoir été installé et utilisé conformément aux présentes instructions. Vos droits en vertu de la présente garantie sont complémentaires à vos droits statutaires, lesquels ne sont pas affectés par la présente garantie.

RECYCLAGE



Concernant les produits électriques vendus au sein de la Communauté européenne - À la fin de la vie utile des produits électriques il ne doit pas être mis au rébus avec les déchets domestiques. Veuillez recycler dans les centres existants. Vérifiez auprès de votre autorité locale ou distributeur pour les recommandations de recyclage dans votre pays.

BREVET / DEMANDE DE BREVET

Les produits de la gamme Optimyst sont protégés par un ou plusieurs des brevets et demandes de brevet suivants :

Grande Bretagne GB 2402206, GB 2460259, GB 2460453, GB 2418014, GB 2465738, GB 2449925, GB 2465537, GB 2455277, GB1020534.2, GB1020537.5, GB1110987.3

États-Unis US 7967690, US 2010299980, US 2011062250, US 2008028648, US 13/167,042

Russie RU2008140317

Europe EP 2029941, EP 2201301, EP 2315976, EP 1787063, EP07723217.1, EP11170434.2, EP 11170435.9

Chine CN 101883953, CN 200980128666.2, CN 101057105, CN 101438104

Australie AU 2009248743, AU 2007224634

Canada CA 2725214, CA 2579444, CA 2645939

Demande de brevet international WO 2006027272

Afrique du Sud ZA 200808702

Mexique MX 2008011712

Corée KR 20080113235

Japon JP 2009529649

Brésil BR P10708894-9

Inde IN 4122/KOLNP/2008

Nouvelle Zélande NZ 571900

Dépannage		
Symptôme	Cause	Action corrective
L'effet de flamme ne démarre pas.	La prise secteur n'est pas branchée. Niveau d'eau bas. Le connecteur basse tension n'est pas connecté correctement. (Fig. 5) Le transducteur ne s'installe pas correctement dans le bac.	Vérifiez que la fiche est correctement branchée à la prise murale. Vérifiez que le réservoir d'eau est plein et qu'il y a de l'eau dans le bac. Vérifiez que le connecteur est correctement inséré. (Fig. 5) Assurez-vous que le transducteur est assis dans le renforcement moulé du puisard
L'effet de flamme est trop faible.	Le bouton d'effet de flamme est réglé trop bas. (Fig. 10) Le disque métallique dans le transducteur est peut-être sale (Fig. 14) Le fil du transducteur est posé sur le disque métallique	Augmentez le niveau de flamme en utilisant la télécommande (voir la Section sur l'utilisation du produit) Nettoyez le disque métallique avec la brosse souple fournie. (Fig. 14) Voir « Entretien » pour une procédure étape par étape. Dirigez le fil à l'arrière du bac et assurez-vous qu'il se trouve dans la fente latérale sortant de celui-ci.
Odeur désagréable se dégage lorsque l'appareil est utilisé.	Eau sale ou vicié. Utilisation de l'eau du robinet non filtrée.	Nettoyez l'unité comme décrit dans la section sur la maintenance. Utilisez uniquement de l'eau du robinet filtrée.
L'effet de flamme donne trop de fumée.	Le réglage de l'effet de flamme est trop élevé.	Tournez le bouton de contrôle « D » de l'effet de flamme vers la droite, environ ¼ de tour, une fois. Donnez au générateur de flamme un peu de temps pour s'ajuster au nouveau réglage. (Fig. 10)
Les lampes principales ne fonctionnent pas et il n'y a pas de flamme ou de fumée.	Il n'y a pas d'eau dans le réservoir d'eau	Suivez les instructions dans la section Entretien 'Remplir le réservoir d'eau'. Vérifiez que la fiche est correctement branchée à la prise murale et que l'interrupteur « A » Fig. 10 est à la position ON (I).

Introduzione

Leggere attentamente le informazioni riportate in questa guida al fine di installare, utilizzare e mantenere il prodotto in modo sicuro.

Importante avviso di sicurezza

ATTENZIONE: LA MANCATA OSSERVANZA DELLE PRESENTI ISTRUZIONI PUÒ COMPORTARE LESIONI E/O DANNI E RENDERE NULLA LA GARANZIA

Importante avviso di sicurezza

Quando si utilizzano apparecchiature elettriche, è necessario attenersi sempre alle precauzioni fondamentali per ridurre i rischi di incendio, scossa elettrica e lesioni personali, compreso quanto segue:

- Se l'apparecchiatura è danneggiata, consultare il fornitore prima dell'installazione e l'utilizzo.
- Non utilizzare all'esterno.
- Non utilizzare nelle immediate vicinanze di bagno, doccia o piscina.
- Non collocare l'apparecchiatura immediatamente sotto una presa di rete o scatola di connessione.

Avvertenza: Questa stufa deve essere utilizzata esclusivamente per i normali scopi domestici nel paese in cui è stata acquistata presso un rivenditore commerciale riconosciuto.

Questa apparecchiatura può essere utilizzata dai bambini a partire dagli 8 anni di età e dalle persone con abilità fisiche, sensoriali o mentali ridotte o prive di esperienza e conoscenze se supervisionati o istruiti sull'uso sicuro dell'apparecchiatura e consapevoli dei pericoli connessi. I bambini non devono giocare con l'apparecchiatura. La pulizia e la manutenzione da parte dell'utente non devono essere svolte dai bambini senza supervisione.

I bambini di età inferiore ai 3 anni devono essere tenuti lontani, salvo se supervisionati costantemente. I bambini di età compresa fra i 3 e gli 8 anni possono soltanto accendere/spegnere l'apparecchiatura, a condizione che siano supervisionati o che siano state fornite loro le istruzioni riguardanti l'uso sicuro dell'apparecchiatura e siano consapevoli dei pericoli connessi e che l'apparecchiatura sia collocata o installata nella posizione di esercizio prevista. I bambini di età compresa tra 3 e 8 anni non devono collegare, regolare e pulire l'apparecchiatura o eseguire la manutenzione da parte dell'utente.

Avvertenza: Quest'apparecchiatura deve essere collegata alla messa a terra.

Nel collegamento dell'apparecchiatura all'alimentazione di rete, si sconsiglia l'utilizzo di un cavo di prolunga o di adattatore a presa multipla. Il collegamento tramite tali dispositivi può comportare un rischio di sovraccarico, surriscaldamento e persino incendio sulla prolunga o sull'adattatore a causa della qualità di collegamento inadeguata.

Questa stufa deve essere utilizzata esclusivamente con alimentazione in corrente alternata (~) e la tensione riportata sulla stufa deve corrispondere alla tensione dell'alimentazione di rete.

Non utilizzare questa apparecchiatura collegata in serie con un dispositivo di controllo termico, un controllore programmabile, un temporizzatore o qualsiasi altro dispositivo che accenda il riscaldamento in modo automatico, poiché sussiste il pericolo d'incendio nel caso in cui l'apparecchiatura sia accidentalmente coperta o collocata erroneamente.

NON utilizzare questa stufa su moquette o tappeti a pelo lungo o a una distanza inferiore a 750 mm (30") da qualsiasi superficie sospesa. Tenere lontano dalla parte anteriore, posteriore e laterale della stufa qualsiasi materiale combustibile, quali tendaggi e altri mobili ed elementi di arredo. Non utilizzare la stufa per asciugare la biancheria.

In caso di guasto, scollegare l'apparecchiatura dalla presa di rete. Scollegare l'apparecchiatura se non utilizzata per lunghi periodi.

Questa apparecchiatura deve essere posizionata in modo tale che la spina risulti accessibile. Se il cavo di alimentazione è danneggiato, deve essere sostituito dal produttore o dall'addetto di assistenza o personale qualificato al fine di evitare qualsiasi pericolo. Tenere il cavo di alimentazione lontano dalla parte anteriore dell'apparecchiatura.

Attenzione: Alcune parti di questo prodotto possono diventare molto calde e causare ustioni. È necessario prestare particolare attenzione in caso di presenza di bambini o persone vulnerabili.

Avvertenza: Onde evitare il surriscaldamento, non coprire l'apparecchiatura. Non collocare materiale o indumenti sull'apparecchiatura, né ostruire la circolazione dell'aria attorno all'apparecchiatura, ad esempio con tende o mobili, poiché ciò potrebbe provocare surriscaldamento e pericolo d'incendio.

Sull'apparecchiatura è riportata l'avvertenza "DO NOT COVER" (NON COPRIRE)

Avvertenza: Al fine di evitare pericoli dovuti al ripristino involontario del dispositivo di protezione termica, questa apparecchiatura non deve essere alimentata attraverso un dispositivo di commutazione esterno, quale un timer, né connessa a un circuito che sia regolarmente attivato/disattivato dal gestore.

Informazioni generali

Utilizzare esclusivamente acqua filtrata per questa apparecchiatura.

Assicurarsi sempre che l'apparecchiatura si trovi su una superficie piana.

Sebbene questa apparecchiatura sia conforme agli standard di sicurezza, se ne sconsiglia l'utilizzo sopra tappeti spessi o tappeti a pelo lungo.

Nota: se l'apparecchiatura è utilizzata in un ambiente pressoché privo di rumore di fondo, potrebbe essere udibile un rumore connesso al funzionamento dell'effetto fiamma. Ciò è una condizione normale e non deve destare preoccupazione.

Se questo prodotto rileva sovratensioni per qualsiasi motivo potrebbe attivare il dispositivo di esclusione di sicurezza. Si tratta di una normale funzione di sicurezza e il prodotto riprenderà a funzionare dopo 30 secondi.

Una volta installata, non spostare l'apparecchiatura e non poggiarla sul lato posteriore senza aver prima scaricato l'acqua dalla vaschetta e dal serbatoio.

Se non si intende utilizzare l'apparecchiatura per un periodo superiore a una settimana, scaricare l'acqua dal vassoio e dal serbatoio dell'acqua e asciugare il vassoio.

Il serbatoio dell'acqua, la vaschetta, il coperchio della vaschetta, il tappo del serbatoio e i filtri dell'aria devono essere puliti ogni settimana, soprattutto nelle zone dove la durezza dell'acqua è elevata.

L'apparecchiatura non deve essere mai utilizzata se le lampadine non funzionano.

Le lampadine devono essere ispezionate regolarmente secondo quanto descritto in "Manutenzione" e "Sostituzione delle lampadine".

Dati tecnici

Modello n.: ENG56-400 E, ENG68-400 E, ENG56-600 E

Potenza termica		230 V	240 V	
Potenza termica nominale	P_{Nom}	1,8	2,0	kW
Potenza termica minima	P_{min}	0,9	1,0	kW
Potenza termica continua massima	P_{max}	1,8	2,0	kW
Consumo di elettricità ausiliario				
In modalità Stand-by	P_{Nom}	0,45	0,48	W

controllo della temperatura ambiente elettronico più timer settimanale

Istruzioni per l'installazione

Questa sezione descrive come impostare la stufa.

PRIMA DI INIZIARE

1. Accertarsi che tutti gli elementi della confezione siano rimossi (leggere attentamente tutte le etichette di avvertenza) e conservare tutto l'imballo per uso futuro; ad es., in caso di trasloco o restituzione dell'apparecchiatura al fornitore.
2. Prima di collegare l'apparecchiatura, verificare che la tensione di rete sia quella riportata sulla stufa.

Installazione nel mantello di un caminetto

1. Se s'installa quest'apparecchiatura nel mantello di un caminetto, accertarsi di scegliere un mantello idoneo alla propria apparecchiatura (Fig. 18). Deve essere presente uno sfogo d'aria sulla parte anteriore del mantello del caminetto di almeno 88 cm². È fondamentale accertarsi che l'aria possa circolare nell'apparecchiatura; in caso contrario, l'effetto fiamma Opti-myst non funzionerà correttamente. Tale percorso dell'aria non deve essere ostruito
2. Rimuovere le 4 staffe distanziatrici sulla parte anteriore dell'apparecchiatura (Fig. 19)
3. Far scivolare completamente l'apparecchiatura nel mantello del caminetto dal retro, accertandosi che poggia al centro del mantello. Mediante viti idonee (non fornite) fissare l'apparecchiatura in posizione (Fig. 20)
4. Accertarsi di posizionare la stufa a una distanza massima di 1 m dalla presa di alimentazione di rete (Fig. 21)

Installazione a parete o in una cavità

1. Annotare le dimensioni del prodotto riportate nella Fig. 1 e costruire una struttura idonea per installare la stufa a una distanza massima di 1 m dalla presa di alimentazione di rete (Fig. 22). Mediante viti idonee (non fornite) fissare l'apparecchiatura in posizione
2. Osservare le fessure di ventilazione sull'apparecchiatura. Queste sono situate sulla base anteriore sotto l'apparecchiatura
3. Realizzare la parete contro l'apparecchiatura usando le staffe distanziatrici come guida.
4. Deve essere presente uno sfogo d'aria sulla parte anteriore della struttura di almeno 88 cm². Questo è essenziale per garantire la circolazione dell'aria nell'apparecchiatura – in caso contrario, l'effetto fiamma Opti-myst non funzionerà correttamente. Questo percorso dell'aria non deve essere ostruito. Per alcuni esempi di sfoghi dell'aria in una parete e cavità, vedere Fig. 23

Collegamento dell'unità trasduttore + lampadine

1. Rilasciare le due linguette rosse ruotandole di 90 gradi (Fig. 2)
2. Estrarre sollevandolo l'ugello della vaschetta (Fig. 3)
3. Inserire le lampadine nei porta lampadine (Fig. 4), facendo attenzione a individuare i contatti nei fori (Fig. 4a)
4. Spingere la lampadina saldamente in posizione.
5. Collocare l'unità trasduttore nella vaschetta e collegare il cavo al connettore sulla vaschetta (Fig. 5)
6. Per assicurare che l'unità trasduttore sia collocata correttamente in posizione nella vaschetta, la linguetta sull'unità trasduttore deve essere allineata con la rientranza stampata nella vaschetta (Fig. 5a).
7. Accertarsi che il cavo non sia collocato sopra il disco sull'unità trasduttore (Fig. 5b). Onde evitare che il cavo venga pizzicato tra l'ugello e la vaschetta, collocarlo nella scanalatura della parete della vaschetta.
8. Ricollocare l'ugello della vaschetta e fissarlo ruotando le due linguette rosse di 90 gradi (Fig. 6)

Riempire il serbatoio dell'acqua

9. Collocare il serbatoio dell'acqua nel lavandino e rimuovere il tappo (ruotarlo in senso antiorario per aprirlo) (Fig. 7)
10. Riempire il serbatoio dell'acqua solo con acqua di rubinetto filtrata. Ciò è necessario per prolungare il ciclo di vita utile dell'unità di produzione di fiamma e fumo. L'acqua deve essere filtrata attraverso un filtro dell'acqua domestico tradizionale e lo stesso deve essere sostituito periodicamente. L'acqua distillata non deve essere utilizzata.
11. Riavvitare il tappo del serbatoio, senza serrarlo eccessivamente.
12. Collocare il serbatoio dell'acqua nella vaschetta, con il tappo rivolto verso il basso e il lato piano rivolto verso l'esterno (Fig. 8)

Assemblaggio della stufa

13. Collocare il braciere sopra il serbatoio dell'acqua e l'ugello di condensa (Fig. 9)

Utilizzo del prodotto

ATTENZIONE: LA MANCATA OSSERVAZIONE DI QUESTE ISTRUZIONI PER L'USO PUÒ CAUSARE LESIONI E/O DANNI.



Controlli manuali

I comandi manuali Opti-myst si trovano sulla base del dispositivo.

(Per la disposizione dei comandi manuali, vedere Fig. 10).

Interruttore "A": controlla l'alimentazione elettrica del "Fuoco".

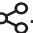
Notare: questo interruttore deve essere in posizione "ACCESO" (I) affinché il Fuoco funzioni con o senza calore quando è attivato.

Interruttore "B": premere  una volta per attivare l'effetto fiamma. L'accensione è segnalata dal segnale acustico. Sebbene le luci principali si accendano immediatamente, saranno necessari altri 45 secondi prima che si attivi l'effetto fiamma. Premere  per mettere il Fuoco in modalità standby. Questo è indicato dal segnale acustico.

Telecomando

Il telecomando è provvisto di 2 batterie AA, queste si trovano in un sacchetto. Sollevare il coperchio del vano batterie sul retro del telecomando e inserire le batterie rispettando la polarità.

Il telecomando è già stato accoppiato al prodotto durante l'assemblaggio in fabbrica. Nell'improbabile caso in cui il telecomando si scollegi dal prodotto, o nel caso di un telecomando di riserva, sarà necessario completare la procedura di accoppiamento:

1. Con il prodotto collegato, premere l'interruttore A, per fare in modo che risulti in posizione ACCESO (I). Il dispositivo dovrebbe emettere un segnale acustico.
2. Tenere premuto il "tasto 6" finché sul display non appare la scritta "ACCOPIAMENTO".
3. Avvicinare il telecomando al prodotto, dove si trova il ricevitore . Vedere Fig. 17.
4. Il prodotto inizierà a emettere un segnale acustico e a lampeggiare.
5. Premere il "tasto 6" per completare il processo di accoppiamento. Il prodotto passerà alla modalità standby.

Accensione del dispositivo


Tenere premuto il tasto "INVIO" per 3 secondi per attivare il telecomando. Sul display apparirà la scritta "FUOCO" e lampeggerà "ACCESO". Premere "INVIO" per accendere l'apparecchio. Le lampade si accenderanno e l'effetto della fiamma si attiverà dopo circa 45 secondi.

Regolazione della fiamma

Con il telecomando attivato. Sul display apparirà la scritta "FUOCO" e lampeggerà "SPENTO". Premere il tasto "SU" finché non lampeggerà il simbolo "FUOCO". Premere "INVIO". Sarà visualizzata l'impostazione attuale della fiamma F1-F6. Premere i tasti "SU" e "GIÙ" per regolare l'impostazione, una volta effettuata la selezione il prodotto emette un segnale acustico. Dopo aver selezionato l'impostazione della fiamma, premere "INDIETRO" per uscire dal menu e tornare alla schermata iniziale.


Selezione delle impostazioni del calorifero

È possibile impostare il riscaldamento su alto ("ALTO"), basso ("BASSO") o interromperlo completamente ("SPENTO").

Collegare il telecomando al dispositivo, se non è stato già fatto. Utilizzare i tasti "SU" e "GIÙ" per spostarsi sul simbolo  lampeggiante. Premere il tasto "INVIO", sullo schermo è visualizzato 21°C e lampeggia la scritta "SPENTO", il riscaldamento si avvia. Tenere quindi premuto il tasto "ADV" finché non appare "ALTO/BASSO" o "SPENTO" (lampeggia la rispettiva impostazione predefinita). Utilizzare i tasti "SU" e "GIÙ" per selezionare l'impostazione desiderata. Confermare l'impostazione con il tasto "INVIO". Lo schermo torna indietro ed è visualizzato 21°C con "SPENTO" lampeggiante. Se si conferma "SPENTO" con il tasto "INVIO", il riscaldamento si spegnerà e lo schermo tornerà alla schermata iniziale.

NOTARE: con l'impostazione "SPENTO", il riscaldamento è completamente spento e non può essere avviato con l'impostazione manuale. Se è necessario riscaldare, si consiglia di impostare "BASSO" o "ALTO".

Impostazione del termostato

Con il telecomando attivato. Navigare con i tasti "Su" / "Giù" fino al simbolo della mano . Il simbolo della mano lampeggia. Premere il tasto "INVIO", 21°C appare sullo schermo e il riscaldamento si avvia, "SPENTO lampeggia". Tuttavia, questo procedimento funziona solo se la preimpostazione "BASSO" o "ALTO" è stata effettuata in precedenza. Il riscaldamento continua fino a quando non è raggiunta la temperatura ambiente di 21°C. Con i tasti "Su" / "Giù" è possibile regolare la temperatura desiderata, se necessario. Se si decide di spegnere il riscaldamento, è possibile interromperlo premendo il tasto "INVIO" mentre lampeggia "SPENTO". Il programma torna quindi alla schermata iniziale.

Interruttore termico di sicurezza


Il termoventilatore è dotato di un dispositivo termico di sicurezza per evitare danni dovuti al surriscaldamento. Questo può verificarsi se l'uscita del calore è stata in qualche modo limitata. Se si attiva l'interruttore di sicurezza, scollegare il dispositivo dalla presa di corrente e attendere circa 10 minuti prima di ricollegarlo. Prima di riaccendere il dispositivo, rimuovere qualsiasi ostacolo che possa limitare l'uscita del calore, quindi riprendere il normale funzionamento.

ATTENZIONE: per evitare pericoli dovuti al ripristino involontario della protezione termica, questo dispositivo non deve essere alimentato tramite un dispositivo di commutazione esterno, come un timer, o collegato a un interruttore che è acceso e spento regolarmente.


Impostazione della data e dell'ora

Per impostare la data e l'ora sul calorifero, con il telecomando attivato spostarsi con il tasto "SU" / "GIÙ" sull'icona di Data


e ora.

1. Premere "Invio" quando l'icona  lampeggia.
2. Premere < e > per impostare l'ora, quindi premere "Invio".
3. Premere < e > per impostare i minuti, premere "Invio" per confermare l'orario.
4. Premere < e > per impostare il giorno, premere "Invio".
5. Premere < e > per impostare il mese, premere "Invio".
6. Premere < e > per impostare l'anno, premere "Invio" per confermare l'anno.
7. Premere < e > per selezionare "ACCESO" / "SPENTO" per l'ora legale, premere "Invio" per confermare e tornare alla schermata iniziale.

Modalità di funzionamento a distanza


Timer utente : offre la massima flessibilità all'utente. Sono disponibili quattro fasce orarie nell'arco della giornata, personalizzabili per ogni giorno della settimana. Vedere "Come regolare le modalità del timer" per istruzioni sulla regolazione delle fasce orarie e delle temperature predefinite.

Modalità manuale : riscalda l'ambiente fino alla temperatura impostata dal telecomando.

Protezione antigelo : mantiene la temperatura ambiente a 7°C. Questa modalità deve essere utilizzata per garantire la protezione contro il gelo, come indicato dall'icona del gelo.

Scelta e impostazione di una modalità Timer utente

Timer utente - Per riprogrammare le modalità del timer predefinite in fabbrica: con il telecomando attivato, spostarsi con il tasto "SU" / "GIÙ" fino a Timer utente.

1. Premere "Invio" quando  lampeggia.
2. Premere > una volta che l'icona "MODIFICA" lampeggerà, premere "Invio".
I giorni della settimana adesso sono visualizzati nella parte superiore dello schermo
Giorno 1 = Lunedì
Giorno 2 = Martedì
Giorno 3 = Mercoledì
Giorno 4 = Giovedì
Giorno 5 = Venerdì
Giorno 6 = Sabato
Giorno 7 = Domenica
4. Premere > per spostarsi sul giorno desiderato e premere "Invio" per selezionare.
5. Sullo schermo è visualizzato P1.
6. Premere "Invio" per selezionare P1, oppure premere > per spostarsi su P2, P3 o P4 e premere "Invio" per selezionare.
7. Sarà visualizzato "ACCESO"
8. Premere < o > per regolare le ore di accensione, premere "Invio" per confermare.
9. Premere < o > per regolare i minuti di accensione, premere "Invio" per confermare.
- 10. Premere < o > per regolare l'impostazione della temperatura, premere "Invio" per confermare.**
- 11. Sarà visualizzato "SPENTO"**
12. Premere < o > per regolare le ore di spegnimento, premere "Invio" per confermare.
13. Premere < o > per regolare i minuti di spegnimento, premere "Invio" per confermare

Premere "Invio" per modificare il programma P2, seguire i passaggi da 5 a 12, premere > per passare a P3.

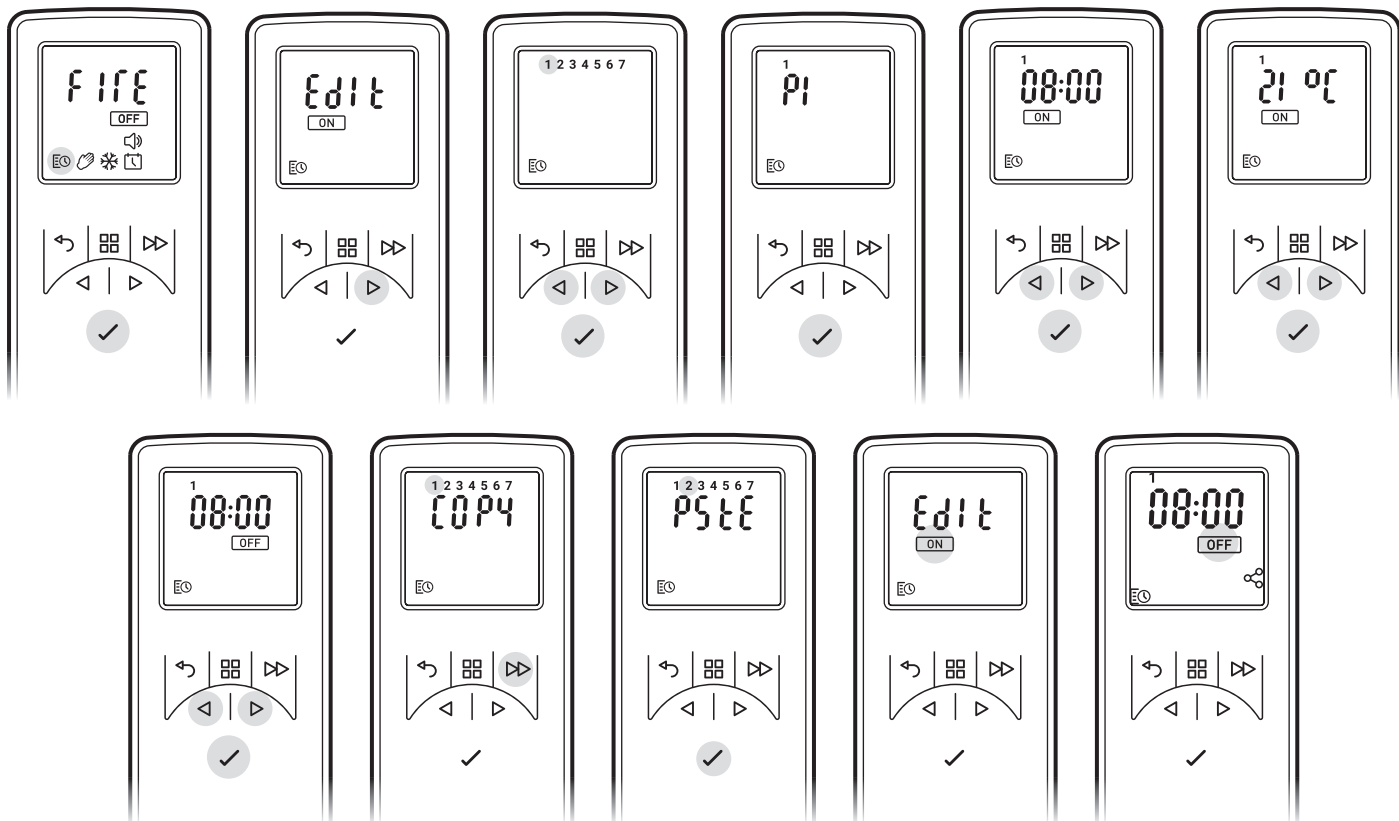
Premere "Invio" per modificare il programma P3, seguire i passaggi da 5 a 12, premere > per passare a P4.

Premere "Invio" per modificare il programma P4, seguire i passaggi da 5 a 12.


Per copiare i programmi di riscaldamento P1-P4 appena impostati sugli altri giorni, tenere premuto il tasto "ADV", la scritta "COPIA" sarà visualizzata, quindi spostarsi con i tasti "SU" / "GIÙ" su altri giorni, mentre il giorno lampeggia premere e tenere premuto il tasto "INVIO" per incollare, per confermare l'impostazione è visualizzato "INCOLLA".

Premere il tasto "INDIETRO" per visualizzare la schermata del Timer utente, navigare con i tasti "SU" / "GIÙ" fino a far lampeggiare "ACCESO" e premere "INVIO" per confermare l'impostazione del Timer utente. Durante questa impostazione il prodotto si spegne e si accende per il tempo selezionato.


Per disattivare il Timer utente, attivare il telecomando, sul display lampeggia "SPENTO". Premere "Invio" per confermare.

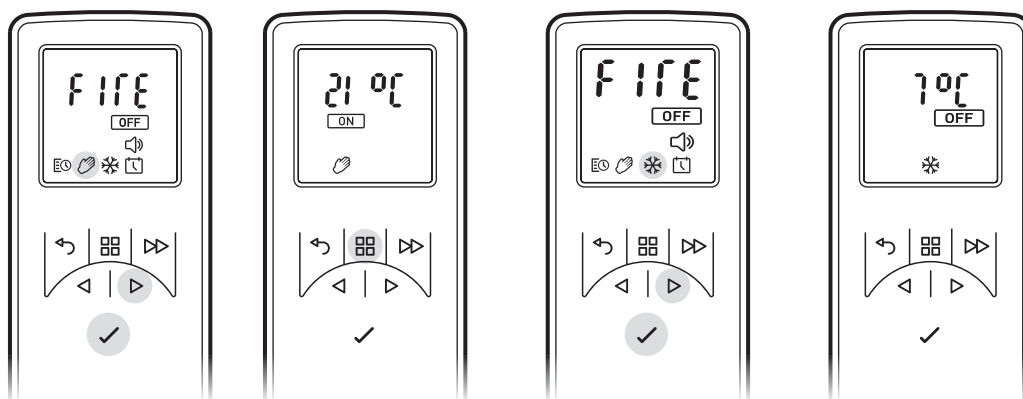


Modalità manuale - Per scegliere una modalità di calore costante. Questa modalità ignora il Timer utente e mantiene la temperatura visualizzata.

- Premere il tasto "Menu".
- Premere < o > per evidenziare l'icona della Mano .
- Premere "Invio" per confermare.
- Utilizzare < e > per regolare la temperatura desiderata.

Protezione antigelo - La modalità di protezione antigelo mantiene una temperatura ambiente minima di 7°C per un periodo di 24 ore. Questa modalità deve essere utilizzata per garantire la protezione contro il gelo, come indicato dall'icona del gelo.

- Premere il tasto "Menu".
- Premere < o > per evidenziare l'icona della ficca di neve .
- Premere "Invio" per confermare.
- Premere < o > per uscire da questa modalità e accedere alla modalità manuale.




Ottenimento dell'effetto fiamma desiderato

1. Con il telecomando attivato, sul display lampeggia la scritta "SPENTO", spostarsi sul tasto "SU" per far lampeggiare "FUOCO" e premere "INVIO". Sarà visualizzata l'impostazione attuale. Premere < o > per passare da F1 a F6. F1 è l'impostazione più bassa e F6 quella più alta.
2. In genere le fiamme appaiono più realistiche quando il controllo della fiamma è abbassato.
3. Consentire il tempo necessario al generatore di fiamma di reagire alle modifiche apportate.
4. Il fuoco consumerà una quantità minore di acqua se l'effetto fiamma è impostato su un livello basso.
5. Non inclinare o spostare il fuoco quando è presente l'acqua nel serbatoio o nella vasca di raccolta.
6. Assicurarsi che il fuoco si trovi su una superficie piana.

Personalizzazione del display

La temperatura massima impostata sul prodotto è di 30°C. È possibile ridurre questo valore. È inoltre possibile passare da °C a °F.

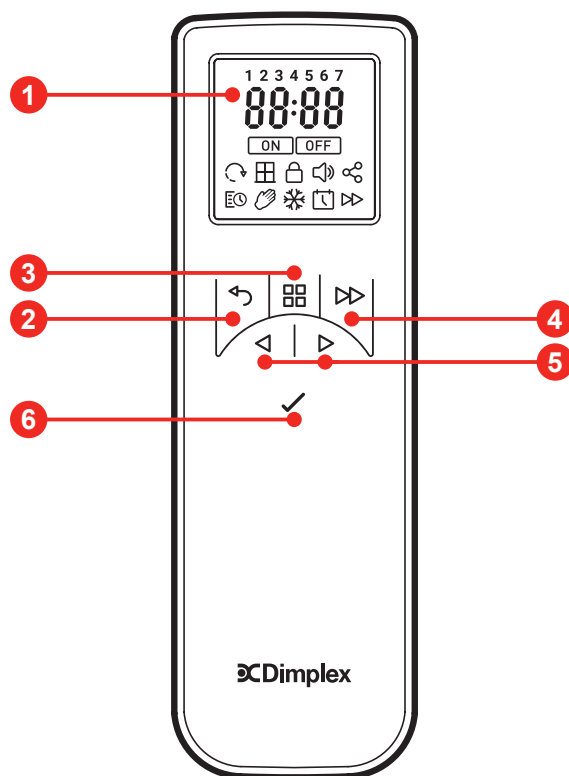
1. Premere il tasto "Menu".
2. Premere < o > per navigare fino al simbolo  che lampeggia.
3. Premere "Invio" per confermare.
4. Tenere premuto il tasto "MENU" fino a visualizzare °C e °F.
5. Premere < o > per selezionare °C o °F. Premere "Invio" per confermare.
6. Premere < o > per scegliere la temperatura massima impostata.
7. Premere il tasto "INDIETRO" per tornare alla schermata iniziale.

Avvio adattivo

L'elettronica integrata in questo dispositivo ha una funzione di apprendimento per il tempo necessario a riscaldare una stanza. Una volta appresa la velocità di riscaldamento dell'ambiente, il dispositivo è in grado di accendersi al momento giusto per portare l'ambiente a una temperatura confortevole quando lo si desidera. Ad esempio, se ci si alza alle 7 del mattino, normalmente si deve ipotizzare l'orario di accensione del riscaldamento per far sì che l'ambiente sia preriscaldato in tempo. A seconda della temperatura esterna, la stanza potrebbe essere ancora fredda quando ci si alza dal letto, oppure essere calda già da mezz'ora. L'avvio adattivo significa che se si selezionano 21°C alle 7 del mattino, il dispositivo si accenderà esattamente con l'anticipo necessario per raggiungere questo obiettivo, funzionando per periodi più brevi quando il clima è mite e garantendo una stanza calda al punto giusto in inverno con temperature esterne più rigide. La funzione di Avvio adattivo si attiva automaticamente quando si utilizza la modalità Timer.

Telecomando

- 1 Schermo display
- 2 Pulsante "Back"
- 3 Pulsante "M"
- 4 Pulsante "Advance"
- 5 Frecche "Su e Giù"
- 6 Pulsante "Enter"



Manutenzione

SUGGERIMENTI GENERALI

Utilizzare esclusivamente acqua di rubinetto filtrata per questa apparecchiatura.

Assicurarsi sempre che l'apparecchiatura si trovi su una superficie piana.

Se non si intende utilizzare l'apparecchiatura per più di una settimana, rimuovere e svuotare il vassoio e il serbatoio dell'acqua.

Una volta installata, non spostare l'apparecchiatura e non poggiarla sul lato posteriore senza aver prima scaricato l'acqua dalla vaschetta e dal serbatoio.

L'apparecchiatura non deve essere mai utilizzata se le lampadine non funzionano.

Le lampadine devono essere ispezionate regolarmente secondo quanto descritto in "Sostituzione delle lampadine".

RIEMPIMENTO DEL SERBATOIO

Quando il serbatoio dell'acqua è vuoto, l'effetto fiamma e fumo si disattiva e vengono emessi 2 segnali acustici; attenersi ai passi seguenti.

1. Premere l'interruttore "A" (0) (Fig. 10)
2. Sollevare delicatamente il braciere e metterlo da parte facendo attenzione.
3. Rimuovere il serbatoio dell'acqua sollevandolo ed estraendolo.
4. Collocare il serbatoio dell'acqua nel lavandino e ruotare in senso antiorario il tappo per aprirlo. (Fig. 7)
5. Riempire il serbatoio solo con acqua di rubinetto filtrata. Ciò è necessario per prolungare il ciclo di vita utile dell'unità dell'effetto fiamma e fumo.
L'acqua deve essere filtrata attraverso un filtro dell'acqua domestico tradizionale e lo stesso deve essere sostituito periodicamente.
6. Riavvitare il tappo, non serrare eccessivamente.
7. Riportare il serbatoio sulla vaschetta, rivolto verso il basso e con il lato piano rivolto verso l'esterno. (Fig. 8)
8. Riposizionare delicatamente il braciere. (Fig. 9)
9. Portare l'interruttore "A" in posizione "ON" (I) (Fig. 10)

SOSTITUZIONE DELLE LAMPADINE

Se l'effetto fiamma e fumo appare grigio o incolore, è possibile che una o più lampadine siano guaste.

Controllare se le lampadine sono guaste come riportato di seguito.

1. Lasciare l'effetto fiamma acceso, sollevare il braciere e il serbatoio dell'acqua.
2. Dovrebbe essere possibile vedere le lampadine con l'ugello in posizione e osservare quale necessita la sostituzione.
3. Portare l'interruttore "A" in posizione "OFF" (SPENTO), quindi scollegare la stufa dalla presa di rete.
4. Lasciare l'apparecchiatura scollegata per 20 minuti affinché le lampadine si raffreddino prima di rimuoverle.
5. Rimuovere la vaschetta come descritto nella Sezione Pulizia.
6. Rimuovere la lampadina difettosa sollevandola delicatamente in direzione verticale e sfilandola dai contatti del porta lampadina, (Vedere Fig. 4 e 4a).
Sostituire con una lampadina colorata originale OPTIMYST, angolo del fascio luminoso di 8°, attacco Gu5.3 da 12 V, 45 W. (da acquistare presso il proprio fornitore)
7. Inserire delicatamente i due contatti della nuova lampadina nei due fori del porta lampadina. Spingere la lampadina saldamente in posizione. (Fig. 4 e 4a).
8. Ricollocare la vaschetta, l'ugello, il serbatoio dell'acqua e il braciere.

PULIZIA

Avvertenza - Portare l'interruttore "A" in posizione "OFF" (0) (Fig. 10) e scollegare l'unità dalla presa di rete prima di pulire la stufa.

Si consiglia di pulire i seguenti componenti una volta alla settimana, soprattutto nelle aree in cui la durezza dell'acqua è elevata:

Serbatoio dell'acqua, Vaschetta, Bocchetta, Tappo del serbatoio e guarnizione, Filtro dell'aria.

Per la pulizia generale, utilizzare un panno morbido e pulito – non utilizzare mai detergenti abrasivi.

Per rimuovere l'eventuale accumulo di polvere o pilucchi, utilizzare occasionalmente la spazzola morbida dell'aspirapolvere per pulire la griglia di uscita del riscaldatore a ventola.

Serbatoio dell'acqua

1. Rimuovere l'acqua dal serbatoio, come descritto in precedenza, sistemare nel lavabo e svuotare l'acqua.
2. Mediante la spazzola in dotazione, strofinare delicatamente le superfici del tappo prestando particolare attenzione all'anello in gomma nella scanalatura esterna e la guarnizione in gomma centrale.
3. Versare una piccola quantità di detergente per stoviglie nel serbatoio, riavvitare il tappo e scuotere bene, sciacquare fino alla completa assenza di schiuma del detergente.
4. Riempire esclusivamente con acqua di rubinetto filtrata, ricollocare il tappo, senza serrarlo eccessivamente.

Vaschetta

1. Portare l'interruttore "A" in posizione (0) "OFF".
2. Sollevare delicatamente il braciere e collocarlo con cura a terra.
3. Rimuovere il serbatoio dell'acqua sollevandolo.
4. Scollegare il connettore elettrico, situato sul lato destro della vaschetta. (Fig. 5)
5. Rilasciare le linguette di bloccaggio vaschetta a destra ruotandole di 90°. Ciò consente di sollevare completamente la vaschetta dalla sua posizione. (Fig. 11)
6. Sollevare delicatamente la vaschetta, facendo attenzione a mantenere il livello e non far fuoriuscire l'acqua. Collocare il gruppo nel lavabo.
7. Rilasciare le linguette di bloccaggio vaschetta a sinistra ruotandole di 90°, quindi rimuovere l'ugello sollevandolo. (Fig. 3)
8. Rimuovere il trasduttore sollevandolo, quindi inclinarlo delicatamente per far sì che il liquido fuoriesca dalla vaschetta. (Fig. 13)
9. Versare una piccola quantità di detergente per stoviglie nella vaschetta e, mediante la spazzola in dotazione, pulire delicatamente tutte le superfici della vaschetta e il trasduttore, inclusi i dischi metallici situati sulla superficie scanalata superiore. (Fig. 14)
10. Terminata la pulizia, risciacquare scrupolosamente la vaschetta con acqua pulita per rimuovere qualsiasi traccia di detergente.
11. Pulire l'ugello con la spazzola e risciacquare scrupolosamente con acqua. (Fig. 15)
12. Per rimontare seguire la procedura inversa.

Filtro dell'aria

1. Sollevare delicatamente il braciere e collocarlo con cura a terra.
2. Estrarre il filtro dell'aria dal supporto in plastica facendolo scorrere delicatamente verso l'alto. (Fig. 16)
3. Risciacquare delicatamente con acqua nel lavandino e asciugare con un panno in tessuto prima di rimontarlo.
4. Ricollocare il filtro accertandosi che il filtro nero grossolano sia rivolto verso la parte anteriore della stufa.
5. Ricollocare il braciere

Informazioni supplementari

ASSISTENZA POST-VENDITA

Il prodotto è garantito per due anni dalla data di acquisto. Entro questo periodo, sarà nostra cura riparare o sostituire gratuitamente il prodotto (con l'esclusione delle lampade e secondo disponibilità), a condizione che sia stato installato e utilizzato in conformità alle presenti istruzioni. I diritti del cliente ai sensi della presente garanzia sono aggiuntivi rispetto ai diritti statutari, che a loro volta non sono pregiudicati dalla presente garanzia.

RICICLAGGIO



Per i prodotti elettrici venduti all'interno della Comunità Europea - Al termine del ciclo di vita utile dei prodotti elettrici questi non devono essere smaltiti insieme ai normali rifiuti domestici. Riciclare ove possibile. Rivolgersi all'autorità locale o rivenditore come smaltire il prodotto nel proprio paese.

BREVETTI/DOMANDA DI BREVETTO

I prodotti della gamma Optimyst sono protetti da uno o più dei seguenti brevetti e domande di brevetto:

Gran Bretagna GB 2402206, GB 2460259, GB 2460453, GB 2418014, GB 2465738, GB 2449925, GB 2465537, GB 2455277, GB1020534.2, GB1020537.5, GB1110987.3

Stati Uniti US 7967690, US 2010299980, US 2011062250, US 2008028648, US 13/167,042

Russia RU2008140317

Europa EP 2029941, EP 2201301, EP 2315976, EP 1787063, EP07723217.1, EP11170434.2, EP 11170435.9

Cina CN 101883953, CN 200980128666.2, CN 101057105, CN 101438104

Australia AU 2009248743, AU 2007224634

Canada CA 2725214, CA 2579444, CA 2645939

Domanda di brevetto internazionale WO 2006027272

Sud Africa ZA 200808702

Messico MX 2008011712

Corea KR 20080113235

Giappone JP 2009529649

Brasile BR P10708894-9

India IN 4122/KOLNP/2008

Nuova Zelanda NZ 571900

Risoluzione dei problemi

Sintomo	Causa	Soluzione
L'effetto fiamma non si avvia.	<p>La presa non è collegata.</p> <p>Livello acqua basso.</p> <p>Connettore bassa tensione non collegato correttamente. (Fig. 5)</p> <p>L'unità del trasduttore non è posizionata correttamente nella vaschetta</p>	<p>Verificare che la spina sia collegata adeguatamente alla presa a parete.</p> <p>Verificare che il serbatoio dell'acqua sia pieno e che vi sia acqua nella vaschetta.</p> <p>Verificare che il connettore sia inserito adeguatamente. (Fig. 5)</p> <p>Assicurarsi che il Trasduttore sia alloggiato nel vano stampato all'interno della vaschetta</p>
L'effetto fiamma è troppo basso.	<p>La manopola dell'effetto fiamma è impostato su un livello troppo basso. (Fig. 10)</p> <p>Il disco metallico nel trasduttore potrebbe essere sporco (Fig. 14)</p> <p>Il filo dall'Unità del Trasduttore si trova al di fuori del disco di metallo</p>	<p>Aumentare il livello della fiamma mediante il telecomando (vedere la sezione "Utilizzo del prodotto")</p> <p>Pulire il disco metallico con la spazzola morbida in dotazione. (Fig. 14) Vedere "Manutenzione" per la procedura passo a passo.</p> <p>Sistemare il filo sul retro della vaschetta ed assicurarsi che si trovi sulla fessura laterale di uscita della vaschetta.</p>
Odore sgradevole durante l'utilizzo dell'unità.	<p>Acqua sporca o stantia.</p> <p>Utilizzo di acqua di rubinetto non filtrata.</p>	<p>Pulire l'unità come descritto nella sezione sulla manutenzione.</p> <p>Utilizzare esclusivamente acqua di rubinetto filtrata.</p>
L'effetto fiamma produce troppo fumo.	L'impostazione dell'effetto fiamma è troppo elevata.	Ruotare la manopola di comando dell'effetto fiamma "D" verso destra, di circa $\frac{1}{4}$ di giro alla volta. Attendere che il generatore di fiamma si regoli sulla nuova impostazione. (Fig. 10)
Le lampadine principali non funzionano e non sono presenti fiamme o fumo.	Non c'è acqua nel serbatoio dell'acqua	<p>Seguire le istruzioni nella sezione Manutenzione, "Riempimento del serbatoio dell'acqua".</p> <p>Verificare che la spina sia collegata correttamente alla presa di rete e che l'Interruttore "A" Fig. 10 sia in posizione "ON" (I).</p>

Introducción

Lea atentamente esta guía de información para poder instalar, utilizar y mantener su producto con seguridad.

Aviso importante sobre seguridad

PRECAUCIÓN: NO SEGUIR ESTAS INSTRUCCIONES PUEDE CAUSAR LESIONES Y/O DAÑOS Y PUEDE ANULAR SU GARANTÍA

Aviso importante sobre seguridad

Al utilizar aparatos eléctricos, deberán adoptarse en todo momento precauciones básicas para reducir riesgos de incendio, descarga eléctrica y lesiones personales, como por ejemplo:

- Si el aparato está dañado, consulte al proveedor antes de la instalación y puesta en funcionamiento.
- No lo utilice en el exterior.
- No utilizar cerca de un baño, ducha o piscina.
- No situar el aparato inmediatamente debajo de una toma de corriente fija o cuadro de conexiones.

Advertencia: Esta estufa solo debe utilizarse para fines domésticos normales en el país donde se compró a un minorista comercial reconocido.

Este electrodoméstico puede ser utilizado por niños de 8 años en adelante y personas cuyas capacidades físicas, sensoriales o mentales estén disminuidas o que carezcan de la experiencia y conocimientos suficientes para manejarlo, siempre que cuenten con las instrucciones o la supervisión sobre el uso del electrodoméstico de forma segura y comprendan los riesgos. Este aparato no es un juguete para niños. La limpieza y mantenimiento no deberá realizarse por niños sin supervisión.

Se debe mantener alejados del aparato a los niños menores de 3 años, a menos que estén continuamente supervisados. Los niños de entre 3 y 8 años de edad solo deberán encender/apagar el aparato si este se ha colocado o instalado en su posición normal de funcionamiento y el niño está supervisado o ha recibido instrucciones sobre el uso seguro del aparato y comprende los peligros que existen. Los niños de entre 3 y 8 años de edad no deben enchufar, regular ni limpiar el aparato ni llevar a cabo tareas de mantenimiento.

Advertencia: Este aparato necesita conexión a tierra.

No se recomienda el uso de un cable de extensión o adaptador de enchufes múltiples para conectar este producto a la red eléctrica. La conexión a través de estos dispositivos podría ocasionar un riesgo de sobrecarga, sobrecalentamiento e incluso fuego en el cable de extensión o el adaptador debido a una calidad de conexión inadecuada.

Este calefactor deberá utilizarse solo con una toma de corriente ~alterna (~) y el voltaje marcado en el calefactor deberá corresponder con el voltaje de la corriente.

No utilice este aparato en serie con un control de temperatura, controlador de programas, temporizador o ningún otro aparato que encienda automáticamente el calefactor, ya que existe riesgo de incendio si el aparato se cambia de posición o se cubre accidentalmente.

NO use el calentador sobre alfombras de pelo largo ni alfombras de pelo espeso, ni a menos de 750 mm (30") de distancia de cualquier superficie que sobresalga. Mantenga los materiales combustibles, como cortinas y otros muebles, apartados de la parte delantera, los laterales y la parte posterior del calentador. No use el calentador para secar la ropa.

En caso de fallo, desenchufe el aparato. Desenchufe el aparato cuando no se vaya a utilizar durante periodos prolongados.

Este aparato debe colocarse de modo que el enchufe quede accesible. Si el cable eléctrico está dañado debe ser sustituido por el fabricante o agente de servicio o persona con cualificación similar para evitar peligros. Mantenga el cable eléctrico apartado del frontal del aparato.

Precaución: Algunas piezas de este producto pueden calentarse mucho y provocar quemaduras. Deberá prestarse especial atención si hay niños o personas vulnerables presentes.

Advertencia: Para evitar que se produzca sobrecalentamiento, no cubra el aparato. No coloque ningún material u objeto de tela sobre el aparato, ni obstruya la circulación de aire alrededor del mismo, por ejemplo con cortinas o muebles, ya que la unidad podría sobrecalentarse y existiría riesgo de incendio. El aparato presenta el símbolo de advertencia “NO CUBRIR”.

Advertencia: Para evitar peligros debido al reinicio involuntario del desconectador térmico, este aparato no debe recibir corriente de un dispositivo con interruptor externo, como puede ser un temporizador, ni conectarse a un circuito con conexión y desconexión automáticas por parte de la compañía eléctrica.

Información general

Solo use agua filtrada en este electrodoméstico.

Asegúrese siempre de que el electrodoméstico esté colocado sobre una superficie nivelada.

Aunque este aparato cumple las normas de seguridad, no se recomienda su uso sobre alfombras de pelo espeso o alfombrillas de pelo largo.

Por favor, tenga en cuenta que: Si lo utiliza en un entorno con muy poco ruido de fondo, es posible que oiga algún sonido relacionado con el funcionamiento del efecto de llama. Esto es normal y no debe preocuparle.

Si el aparato experimenta una sobretensión por cualquier motivo, es posible que se apague. Se trata de una característica normal de seguridad y el aparato reanudará su funcionamiento después de 30 segundos.

Una vez instalado, nunca mueva este electrodoméstico ni lo apoye sobre su parte posterior sin drenar el agua del sumidero y del tanque de agua.

Si no va a utilizar el aparato durante más de una semana, drene el agua del sumidero y del tanque de agua y seque el sumidero.

El tanque de agua, el sumidero, la tapa del sumidero, la tapa del tanque y los filtros de aire deben limpiarse una vez por semana, especialmente en áreas con agua dura.

Nunca se debe poner en funcionamiento el aparato si las lámparas no funcionan.

Las lámparas deben inspeccionarse con regularidad, tal y como se describe en “Mantenimiento” y “Cambio de las bombillas”.

Información técnica

Modelo n.º: ENG56-400 E, ENG68-400 E, ENG56-600 E

Producción de calor		230 V	240 V	
Producción de calor nominal	P_{Nom}	1,8	2,0	kW
Producción de calor mínima	$P_{\text{mín.}}$	0,9	1,0	kW
Máxima producción de calor continuo	$P_{\text{máx.}}$	1,8	2,0	kW
Consumo de electricidad auxiliar				
En modo de espera	P_{Nom}	0,45	0,48	W

control electrónico de la temperatura de la sala más temporizador semanal

Instrucciones importantes

En esta sección se describe cómo instalar su fuego de chimenea.

ANTES DE COMENZAR

1. Asegúrese de retirar todos los elementos de embalaje (lea detenidamente las etiquetas de advertencia) y guarde todo el embalaje para un posible uso futuro; por ejemplo, en caso de mudanza o de que decida devolver el aparato al proveedor.
2. Antes de conectar el aparato, compruebe que el voltaje de la corriente de la red eléctrica sea el mismo que el indicado en el aparato.

Instalación de una cubierta de chimenea doméstica

1. Al instalar este aparato con una cubierta, asegúrese de elegir una cubierta que sea adecuada para su aparato (fig. 18). Debe haber un respiradero en la parte frontal de la cubierta de la chimenea doméstica de al menos 88 cm². Es fundamental asegurarse de que pueda circular aire hacia el aparato, de lo contrario el efecto de llama Opti-myst no funcionará correctamente. El pasaje de aire no debe estar obstruido
2. Retire los 4 soportes de separación de la parte frontal del aparato (Fig. 19)
3. Deslice el aparato completamente hacia la cubierta de chimenea desde la parte posterior y asegúrese de que queda asentado en el centro de la cubierta. Utilizando los tornillos apropiados (no suministrados) fije el aparato en su posición (Fig. 20)
4. Asegúrese de colocar la chimenea doméstica a una distancia no superior a 1 m de la toma de corriente de la pared (Fig. 21)

Instalación en una cavidad o recoveco de la pared

1. Anote las dimensiones del producto en la figura 1 y construya una estructura adecuada para que el aparato pueda colocarse a una distancia no superior a 1 m de la toma de corriente (fig. 22) Utilizando los tornillos apropiados (no suministrados) fije el aparato en posición.
2. Observe las ranuras de ventilación del aparato. Están ubicadas en la base frontal y por debajo del aparato.
3. Construya la pared hacia arriba y en contacto con el aparato utilizando los soportes separadores como guía.
4. Debe haber un respiradero en la parte frontal de la estructura de al menos 88 cm². Es fundamental asegurarse de que el aire pueda circular hacia el aparato, de lo contrario el efecto de llama Opti-myst no funcionará correctamente. Este conducto de paso del aire no debe estar obstruido. Para ver ejemplos de respiraderos en una cavidad o recoveco de la pared, consulte la figura 23.

Conexión del transductor y las bombillas

1. Suelte las dos pestañas rojas girándolas 90 grados (fig. 2).
2. Levante y saque la boquilla del sumidero (fig. 3).
3. Inserte las bombillas en sus soportes (fig. 4), colocando cuidadosamente las patillas en los orificios (fig. 4a).
4. Empuje las bombillas firmemente en su lugar.
5. Coloque el transductor en el sumidero y una el cable al conector del sumidero (fig. 5).
6. Para asegurarse de que el transductor esté correctamente colocado en el sumidero, la pestaña del transductor debe estar alineada con el recoveco moldeado del sumidero (fig. 5a).
7. Asegúrese de que el cable no esté colocado por encima del disco sobre el transductor (fig. 5b). Para impedir que el cable quede pellizcado entre la boquilla y el sumidero, colóquelo en la ranura de la pared del sumidero.
8. Vuelva a colocar la boquilla del sumidero y fíjela firmemente girando las dos lengüetas rojas 90 grados (fig. 6).

Llenado del tanque de agua

9. Coloque el tanque de agua en el fregadero y retire la tapa girándola en sentido contrario a las agujas del reloj para abrirla (fig. 7).
10. Llene el tanque de agua solamente con agua de grifo filtrada. Esto es necesario para prolongar la vida de la unidad productora de llama y humo. El agua debe filtrarse a través de una unidad de filtro de agua doméstica convencional y el filtro debe cambiarse con regularidad. No se debe utilizar agua destilada.
11. Vuelva a enroscar el tapón; no lo apriete demasiado.
12. Coloque el tanque de agua en el sumidero, con el tapón del tanque de agua hacia abajo y el lado plano del tanque hacia afuera (fig. 8).

Montaje de la chimenea

13. Coloque la plataforma de combustible sobre la parte superior del tanque de agua y boquilla nebulizadora (fig. 9).

Uso del producto

ADVERTENCIA: EL INCUMPLIMIENTO DE ESTAS INSTRUCCIONES DE FUNCIONAMIENTO PUEDE RESULTAR EN LESIONES O DAÑOS.


Controles manuales


Los controles manuales de Opti-myst están situados en la base del aparato.

(Véase la fig. 10 para ver la disposición de los controles manuales)

Interruptor «A»: Controla el suministro de electricidad a la estufa.

Nota: Este interruptor debe estar en posición de «ENCENDIDO» (I) para que la estufa pueda funcionar con o sin calor al activarse.


Interruptor «B»: Pulsar  una vez para activar el efecto de llama. Esto emitirá una señal acústica. Aunque las luces principales se encenderán de inmediato, el efecto de llama tardará 45 segundos más en empezar a funcionar.

Pulsar  para poner la estufa en modo de espera. Esto emitirá una señal acústica.

Mando a distancia

El mando a distancia se presenta en una bolsa con 2 pilas alcalinas AA. Levante la tapa donde se alojan las pilas en la parte trasera del mando a distancia e inserte las dos pilas teniendo en cuenta la polaridad (+/-) indicada.

El mando a distancia ya ha sido emparejado con su producto correspondiente durante el montaje en fábrica. En el caso poco probable de que el mando a distancia pierda la conexión con el producto o usted tenga un mando a distancia de recambio, tendrá que completar el proceso de emparejamiento:

1. Con el producto enchufado, pulse el interruptor A hasta la posición de «Encendido» (I). Escuchará una señal acústica
2. Mantenga pulsado el «Botón 6» hasta que se muestre la opción «EMPAREJAR» en pantalla
3. Acerque el mando a distancia al producto donde se encuentra el receptor  Véase la fig.17
4. El producto empezará a emitir una señal acústica y una luz intermitente
5. Pulse el «Botón 6» para completar el proceso de emparejamiento. El producto se pondrá en modo de espera.

Encendido del aparato


Mantenga pulsado el botón de «ACEPTAR» durante 3 segundos para activar el mando a distancia. Se mostrará una LLAMA y el botón de «ENCENDIDO» emitirá una luz intermitente. Pulse «ACEPTAR» para ENCENDER el aparato. Las luces indicadoras se iluminarán y el efecto de llama se fijará en aproximadamente 45 segundos.

Ajuste de la intensidad de la llama

Con el mando a distancia activado. Se mostrará el símbolo de LLAMA y el botón de «APAGADO» emitirá una luz intermitente en la pantalla. Pulse el botón «ARRIBA» hasta que el símbolo de LLAMA empiece a emitir una luz intermitente. Pulse «ACEPTAR». El ajuste actual de llama mostrará un valor comprendido entre F1 y F6. Pulse los botones de posicionamiento hacia «ARRIBA» y «ABAJO» para ajustar la intensidad, al seleccionar la opción, se emitirá una señal acústica. Después de haber seleccionado la intensidad de la llama, pulse «ATRÁS» para salir del menú y volver a la pantalla de inicio.


Seleccione los ajustes de la estufa

Tiene la opción de ajustar la emisión de calor a una intensidad alta (ALTO), baja (BAJO) o de apagar el calor por completo (APAGADO). Conecte el mando a distancia al aparato si todavía no lo ha hecho. Utilice los botones de posicionamiento hacia

«ARRIBA» y «ABAJO» para desplazarse hasta que el símbolo  emita una luz intermitente. Pulse la tecla «ACEPTAR», la temperatura de 21 °C se mostrará en pantalla, el botón de «APAGADO» emitirá una luz intermitente, el modo estufa se iniciará. A continuación, mantenga pulsado el botón «AVANZADO» hasta que aparezca ALTO/BAJO o «APAGADO» (el respectivo ajuste predeterminado emitirá una luz intermitente). Utilice los botones de posicionamiento hacia «ARRIBA» y «ABAJO» para seleccionar la configuración que desee. Confirme el ajuste con la tecla «ACEPTAR». La pantalla vuelve hacia atrás y se muestra la temperatura de 21 °C con la opción de «APAGADO» emitiendo una luz intermitente. Si ahora confirma la opción de «APAGADO» con la tecla de «ACEPTAR», la estufa se apagará y se volverá a la pantalla de inicio.

NOTA: Si se selecciona la opción de «APAGADO», la estufa se apagará completamente y no se podrá volver a activar con la configuración manual. Si necesita utilizar la estufa, se recomienda utilizar la configuración «BAJO» «ALTO» para ajustar el calor mínimo y máximo respectivamente.

Ajuste del termostato

Con el mando a distancia activado. Desplácese hacia arriba y hacia abajo con los botones de posicionamiento correspondientes al símbolo de la mano . El símbolo de la mano emitirá una luz intermitente. Pulse la tecla «ACEPTAR», la temperatura de 21 °C se mostrará en pantalla y el botón de «APAGADO» emitirá una luz intermitente. No obstante, esto solo funciona si se ha configurado anteriormente la temperatura máximo o mínima. La estufa funcionará hasta que se haya alcanzado una temperatura ambiente de 21 °C. Con los botones de posicionamiento hacia «ARRIBA» y «ABAJO», se puede ajustar la temperatura en caso necesario. Si desea apagar la estufa, puede interrumpir el funcionamiento al pulsar el botón «ACEPTAR» cuando el modo «APAGADO» emita una luz intermitente. El programa entonces volverá a la pantalla de inicio.


Disyuntor térmico de seguridad

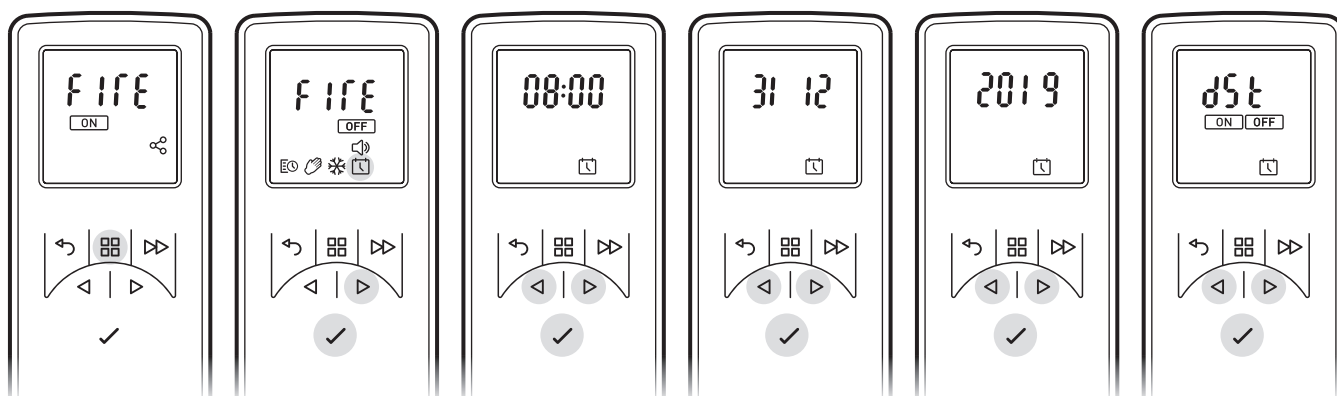
El calefactor incorpora un disyuntor térmico de seguridad para evitar daños por sobrecalentamiento. El recalentamiento puede producirse si se obstruye de cualquier modo la salida del calor. Si el disyuntor se activa, desenchufe el calefactor de la toma de corriente y deje pasar al menos 10 minutos antes de volver a enchufarlo. Antes de volver a conectar el calefactor, retire la obstrucción de la salida de calor y reanude el funcionamiento del equipo.

PRECAUCIÓN: Para evitar que el disyuntor térmico del aparato se conecte accidentalmente, la alimentación no debe proceder de un dispositivo de conmutación externo, como puede ser un temporizador, y el aparato no debe estar conectado a un circuito activado y desactivado regularmente por la empresa proveedora del servicio.


Ajustes de fecha y hora

Para ajustar la fecha y la hora, con el mando a distancia activado, desplácese con los botones de posicionamiento hacia «ARRIBA» y «ABAJO» hasta llegar al icono de Fecha y hora


1. Pulse «ACEPTAR» cuando  emita una luz intermitente
2. Pulse < y > para fijar la hora, pulse «Aceptar»
3. Pulse < y > para fijar los minutos, pulse «Aceptar» para confirmar la hora
4. Pulse < y > para fijar el día, pulse «Aceptar»
5. Pulse < y > para fijar el mes, pulse «Aceptar»
6. Pulse < y > para fijar el año, pulse «Aceptar» para confirmar el año
7. Pulse < y > para seleccionar «ENCENDIDO/APAGADO» para el horario de ahorro de luz diurna (horario de verano), pulse «ACEPTAR» para confirmar y volver a la pantalla de inicio.



Modos de accionamiento remoto


Temporizador del usuario : Proporciona la máxima flexibilidad al usuario. Hay disponibles cuatro franjas horarias en el día y estas pueden personalizarse para cada día de la semana. Véase «Cómo ajustar los modos del temporizador» para obtener las instrucciones sobre cómo ajustar los valores predeterminados de fábrica en cuanto a hora y temperatura.

Modo manual : Este modo calienta la habitación hasta la temperatura que usted haya fijado en el mando a distancia.

Protección contra escarcha : Este modo mantendrá la habitación a una temperatura de 7°C. Este modo debería utilizarse para proteger contra la escarcha como así indica el icono de escarcha.

Elegir y ajustar el modo de temporizador del usuario

Temporizador del usuario: para volver a programar los modos de temporizador predeterminados, con el mando a distancia activado, desplácese con el botón de posición de «ARRIBA/ABAJO» hasta el temporizador de usuario

1. Pulse «ACEPTAR» cuando  emita una luz intermitente.
2. Pulse > cuando el icono de «EDITAR» emita una luz intermitente, luego pulse «ACEPTAR»
Ahora se mostrarán los días de la semana en la parte superior de la pantalla
Día 1 = Lunes
Día 2 = Martes
Día 3 = Miércoles
Día 4 = Jueves
Día 5 = Viernes
Día 6 = Sábado
Día 7 = Domingo
4. Pulse > para desplazarse hasta el día deseado y pulse «ACEPTAR» para seleccionarlo
5. P1 se mostrará en pantalla
6. Pulse «ACEPTAR» para seleccionar P1 o para desplazarse hasta P2, P3 o P4 pulse > y, a continuación, pulse «ACEPTAR» para seleccionar
7. «ENCENDIDO» se mostrará en pantalla
8. Pulse < o > para ajustar la hora de encendido, pulse «ACEPTAR» para confirmar
9. Pulse < o > para ajustar el minuto de encendido, pulse «ACEPTAR» para confirmar
- 10. Pulse < o > para ajustar la temperatura, pulse «ACEPTAR» para confirmar**
- 11. «APAGADO» se mostrará en pantalla**
12. Pulse < o > para ajustar la hora de apagado, pulse «ACEPTAR» para confirmar
13. Pulse < o > para ajustar el minuto de apagado, pulse «ACEPTAR» para confirmar

Pulse «ACEPTAR» para modificar el programa P2, siga los pasos del 5 al 12, pulse > para saltar al P3

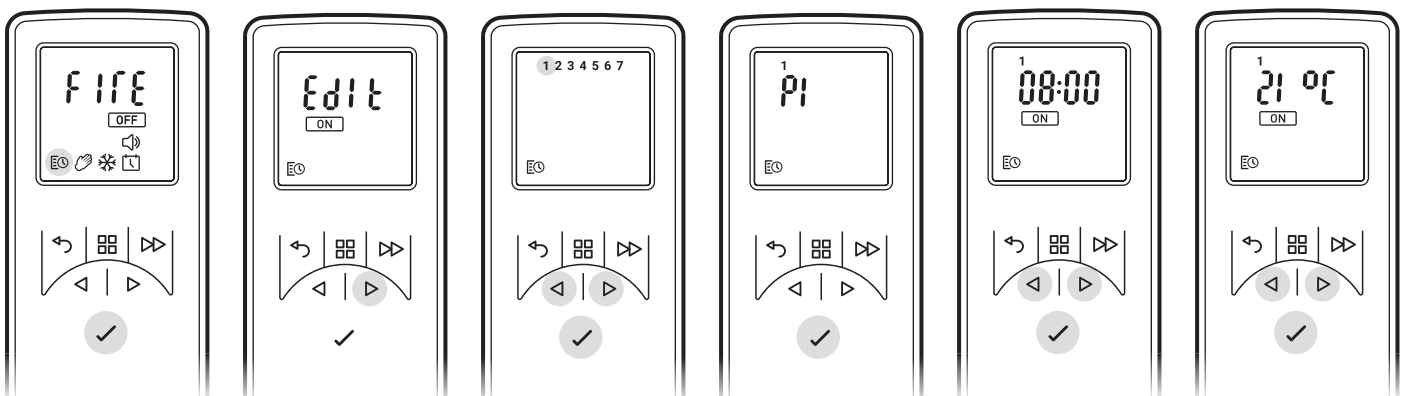
Pulse «ACEPTAR» para modificar el programa P3, siga los pasos del 5 al 12, pulse > para saltar al P4

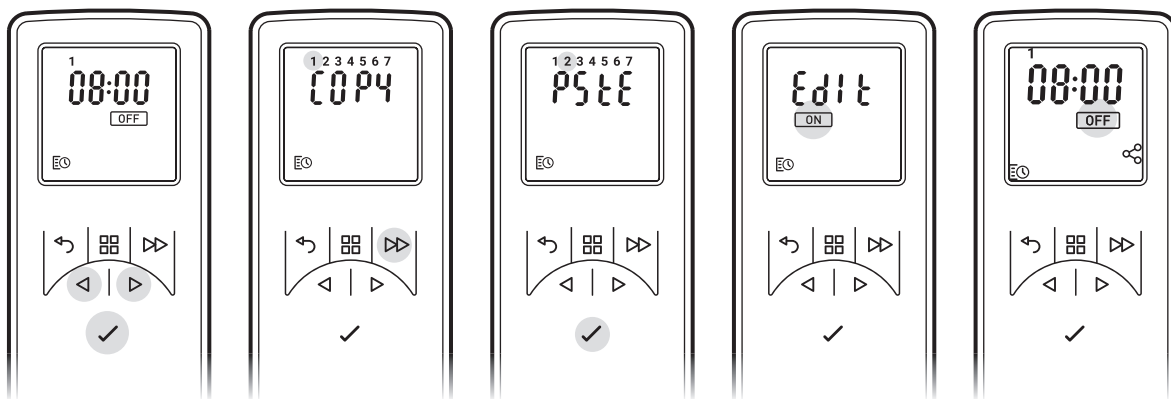
Pulse «ACEPTAR» para modificar el programa P4, siga los pasos del 5 al 12

Para copiar los programas de calefacción recién asignados del P1 al P4 a otros días, mantenga pulsado el botón «AVANZADO», se mostrará «COPIAR» en pantalla. A continuación, desplácese con los botones de posicionamiento «ARRIBA/ABAJO» hasta los otros días. Mientras el día emite una luz intermitente, mantenga pulsado el botón de «ACEPTAR» para pegar, ahora se mostrará «PEGAR» en pantalla para confirmar el ajuste.


Pulse el botón de «ATRÁS» para mostrar la pantalla del temporizador del usuario. Desplácese con el botón de posicionamiento hacia «ARRIBA/ABAJO» para que la opción de «ENCENDIDO» emita una luz intermitente y pulse «ACEPTAR» para confirmar el ajuste del temporizador del usuario. Durante esta configuración, el producto permanecerá apagado y se encenderá durante la hora seleccionada.

Para desactivar el temporizador del usuario, active el mando a distancia, la opción de «APAGADO» emitirá una luz intermitente. Pulse «ACEPTAR» para confirmar.




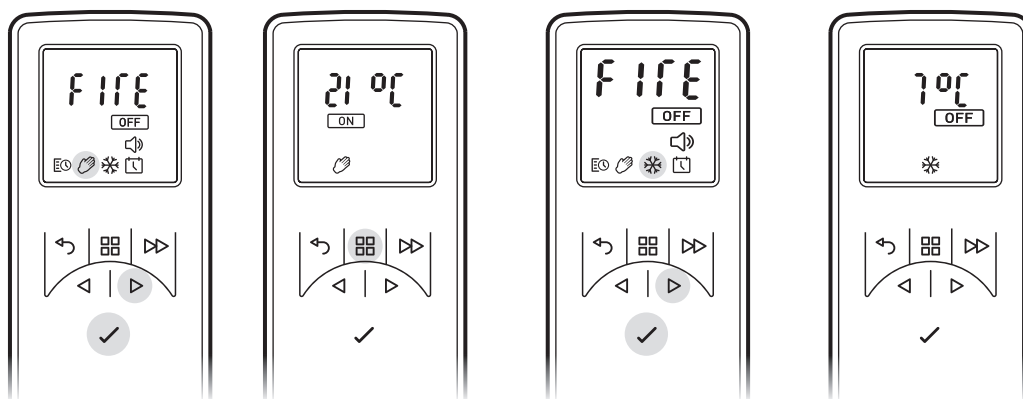


Modo manual - Para elegir el modo de calefacción constante. Este modo ignora el temporizador del usuario y mantiene la temperatura indicada.

- Pulse el botón del menú
- Pulse < o > para destacar el  icono de la mano
- Pulse «ACEPTAR» para confirmar
- Utilice < y > para ajustar la temperatura deseada

Protección contra escarcha: Este modo mantiene una temperatura ambiente de 7°C en un período de 24 horas. Este modo debería utilizarse para proteger contra la escarcha como así indica el icono de escarcha.

- Pulse el botón de menú
- Pulse < o > para destacar el  icono de copo de nieve
- Pulse «ACEPTAR» para confirmar
- Pulse < o > para salir de este modo e iniciar el modo manual.




Cómo obtener el efecto de llama deseado

1. Con el mando a distancia activado, se mostrará la opción de «APAGADO» emitiendo una luz intermitente en la pantalla, desplácese con el botón de posicionamiento hacia «ARRIBA» para hacer que la LLAMA emita una luz intermitente y pulse «ACEPTAR». El ajuste actual de llama se mostrará. Pulse < o > para alternar entre las opciones F1 y F6. F1 es el ajuste mínimo de llama y F6 es el ajuste máximo.
2. Por lo general, las llamas parecen más reales cuando el botón de control de la llama se baja.
3. Espere a que el generador de la llama reaccione a los cambios que usted haga.
4. La estufa utilizará menos agua si el efecto de llama está ajustado a un nivel más bajo.
5. No incline ni mueva la estufa mientras haya agua en el depósito o el sumidero.
6. Asegúrese de que la estufa esté en un suelo nivelado.

Personalización de la pantalla

La temperatura máxima del producto es de 30°C. Tiene la opción de reducir este punto de ajuste. También puede cambiar de grados Celsius (°C) a grados Fahrenheit (°F)

1. Pulse el botón de menú
2. Pulse < o > para desplazarse hasta que el símbolo  emita una luz intermitente.
3. Pulse «ACEPTAR» para confirmar.
4. Mantenga pulsado el botón de «MENÚ» hasta que se indiquen los grados °C y °F.
5. Pulse < o > para seleccionar °C o °F. Pulse «ACEPTAR» para confirmar.
6. Pulse < o > para elegir y fijar la temperatura máxima.
7. Pulse el botón de «ATRÁS» para volver a la pantalla de inicio.

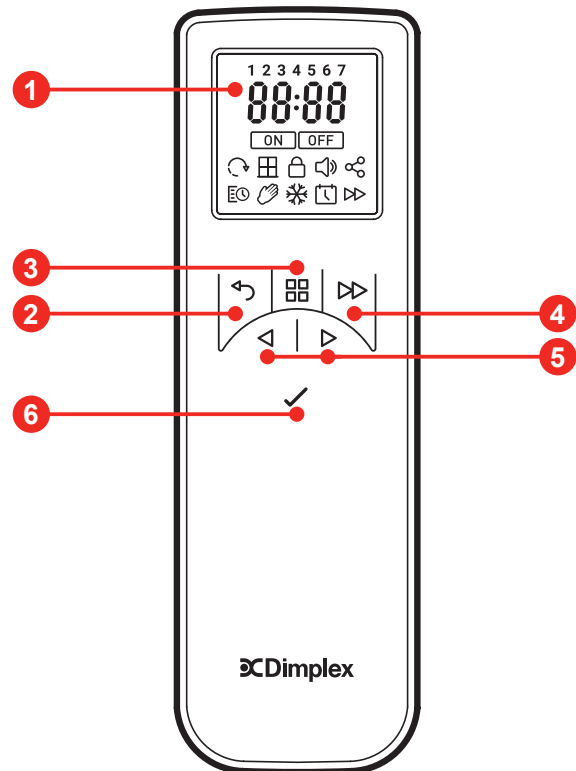
Inicio adaptable

La electrónica integrada en este aparato tiene una función de aprendizaje en cuanto al tiempo que tarda en calentar una habitación. Después de saber cuánto tiempo le lleva calentar una habitación, el aparato es capaz de encenderse justo en el momento adecuado para lograr que la habitación tenga una temperatura cómoda cuando así lo desee. Por ejemplo, si se levanta a las 7 a. m., normalmente debería suponer la hora a la que debería encender la calefacción para tener la habitación caliente a tiempo. Según el frío que haga fuera, esto podría suponer que la habitación no esté todavía caliente para cuando se levante de la cama o que está caliente media hora antes de lo necesario. El inicio adaptable significa que si selecciona 21°C a las 7 a. m., la calefacción se encenderá exactamente cuando sea necesario para alcanzar la temperatura objetivo, funcionando durante períodos más cortos cuando el tiempo es más suave y asegurando que la habitación está a una temperatura agradable en invierno.

La función de inicio adaptable se activará automáticamente cuando se utilice el modo de temporizador.

Mando a distancia

- 1 Pantalla de visualización
- 2 Botón "Back" (atrás)
- 3 Botón "Menú"
- 4 Botón "Advance" (avanzar)
- 5 Flechas Arriba y Abajo
- 6 Botón "Enter"



Mantenimiento

CONSEJOS DE TIPO GENERAL

Solo use agua del grifo filtrada en este electrodoméstico.

Asegúrese siempre de que el electrodoméstico esté colocado sobre una superficie nivelada.

Si no va a utilizar el aparato durante más de una semana, retire y vacíe el cárter y el depósito de agua.

Una vez instalado, nunca mueva este electrodoméstico ni lo apoye sobre su parte posterior sin drenar el agua del sumidero y del tanque de agua.

Nunca se debe poner en funcionamiento el aparato si las lámparas no funcionan.

Las lámparas deben inspeccionarse con regularidad, tal y como se describe en "Cambio de las bombillas".

LLENADO DEL TANQUE DE AGUA

Cuando el tanque de agua está vacío, el efecto de llama y humo se apaga y escuchará 2 pitidos sonoros; siga estos pasos.

1. Ponga el interruptor 'A' en (0) (Fig.10)
2. Levante suavemente la plataforma de combustible y déjela a un lado con cuidado.
3. Retire el tanque de agua levantándolo hacia arriba y hacia afuera.
4. Coloque el tanque de agua en el fregadero y retire la tapa, en sentido contrario a las agujas del reloj para abrirla. (Fig. 7)
5. Llene el tanque solamente con agua de grifo filtrada. Esto es necesario para prolongar la vida de la unidad productora de llama y humo.
El agua debe filtrarse a través de una unidad de filtro de agua doméstica convencional y el filtro debe reemplazarse regularmente.
6. Vuelva a atornillar la tapa, no la apriete demasiado.
7. Vuelva a colocar el tanque de agua en el sumidero, con el tapón del tanque hacia abajo y el lado plano del tanque hacia afuera. (Fig. 8)
8. Coloque suavemente la plataforma de combustible en su lugar. (Fig. 9)
9. Ponga el interruptor 'A' en la posición 'ON' (I) (Fig. 10)

CAMBIO DE BOMBILLAS

Si el efecto de llama y humo parece gris o incoloro, es posible que una o más bombillas hayan fallado.

Puede verificar el fallo de la bombilla de la siguiente manera.

1. Dejando el efecto de llama encendido, levante y saque la plataforma de combustible y el tanque de agua.
2. Debe ser posible ver las bombillas con la boquilla en posición y saber cuál se debe cambiar.
3. Ponga el interruptor 'A' en la posición 'OFF' y desenchufe el fuego de la red eléctrica.
4. Deje el aparato durante 20 minutos para permitir que las lámparas se enfríen antes de retirarlas.
5. Retire el sumidero como se describe en la sección de limpieza.
6. Retire la bombilla defectuosa, levantándola verticalmente con suavidad y desenganchando las clavijas de su soporte (figs. 4 y 4a). Sustitúyala por una bombilla de color OPTIMYST, 12V, 45W, base Gu5.3 y ángulo de haz de 8°. (La puede adquirir a nuestro proveedor)
7. Inserte con cuidado las dos patillas/clavijas de la nueva bombilla en los dos orificios del portalámparas. Empuje la bombilla firmemente en su lugar. (Fig.4 y 4a).
8. Vuelva a colocar el sumidero, la boquilla, el tanque de agua y la plataforma de combustible.

LIMPIEZA

Advertencia: ponga siempre el interruptor 'A' en la posición 'OFF' (0) (fig.10) y desconecte el aparato de la fuente de alimentación antes de limpiar la estufa.

Recomendamos limpiar los siguientes componentes una vez a la semana, especialmente en áreas donde el agua es dura:

tanque de agua, sumidero, boquilla, tapa y junta del tanque, filtro de aire.

Para la limpieza general, utilice un paño suave y limpio; nunca utilice limpiadores abrasivos.

Para eliminar cualquier acumulación de polvo o suciedad, puede utilizar ocasionalmente el cepillo suave del aspirador para la limpieza de la rejilla de salida del ventilador.

Tanque de agua

1. Retire el tanque de agua, como se describe anteriormente, colóquelo en el fregadero y vacíe el agua.
2. Con el cepillo suministrado, frote suavemente las superficies internas de la tapa prestando especial atención al anillo de goma de la ranura exterior y de la junta de goma central.
3. Ponga una pequeña cantidad de líquido de lavado en el tanque, vuelva a colocar la tapa y agite bien, enjuague hasta que desaparezcan todos los restos de líquido de lavado.
4. Rellénelo solamente con agua de grifo filtrada; vuelva a colocar la tapa, sin apretarla demasiado.

Sumidero

1. Ponga el interruptor 'A' en la posición 'OFF' (0).
2. Levante con cuidado la plataforma de combustible y colóquela con cuidado en el suelo.
3. Retire el tanque de agua levantándolo hacia arriba.
4. Desenchufe el conector eléctrico, ubicado en el lado derecho del sumidero. (Fig.5)
5. Suelte las lengüetas de bloqueo del lado derecho del sumidero girándolas 90°. Esto permite que el sumidero se pueda levantar por completo de su ubicación. (Fig. 11)
6. Levante suavemente el sumidero, teniendo cuidado de mantenerlo plano para no derramar agua. Deje el conjunto en el fregadero.
7. Suelte las lengüetas de bloqueo del lado izquierdo del sumidero girándolas 90° y, a continuación, extraiga la boquilla levantándola. (Fig.3)
8. Levante el transductor e inclínelo con cuidado, como se muestra, para que el líquido se drene del sumidero. (Fig.13)
9. Coloque una pequeña cantidad de líquido de lavado en el sumidero y, utilizando el cepillo suministrado, limpie suavemente todas las superficies en el sumidero y limpie suavemente el transductor, incluido los discos de metal ubicados en la superficie ranurada superior. (Fig.14)
10. Una vez lavado, enjuague completamente el sumidero con agua limpia para eliminar todos los residuos de líquido de lavado.
11. Limpie la boquilla con el cepillo y enjuáguela completamente con agua. (Fig.15)
12. Invierta los pasos anteriores para volver a montarlo.

Filtro de aire

1. Levante con cuidado la plataforma de combustible y colóquela con cuidado en el suelo.
2. Deslice suavemente el filtro de aire hacia arriba para que salga de su soporte de plástico. (Fig.16)
3. Enjuáguelo suavemente con agua en el fregadero y séquelo con una toalla de tela antes de volver a ponerlo.
4. Vuelva a poner el filtro asegurándose de que el filtro negro tosco esté encarado hacia la parte frontal del fuego.
5. Vuelva a colocar la plataforma de combustible.

Información adicional

SERVICIO POSVENTA

Su producto tiene dos años de garantía a partir de la fecha de compra. Durante este periodo, nos comprometemos a reparar o cambiar el producto sin cargo alguno (con excepción de las bombillas y según disponibilidad), siempre que se haya instalado y puesto en funcionamiento de conformidad con estas instrucciones. Sus derechos según esta garantía son adicionales a sus derechos legalmente establecidos, que, a su vez, no se ven afectados por esta garantía.

RECICLADO



Para los productos eléctricos vendidos dentro de la Comunidad Europea: al final de su vida útil los productos eléctricos no deben desecharse con la basura doméstica. Si existen, utilice los servicios de reciclaje. Consulte con las autoridades locales o con el vendedor para saber cuáles son las recomendaciones sobre reciclaje en su país.

PATENTE/SOLICITUD DE PATENTE

Los productos de la gama Optimyst están protegidos por una o más de las siguientes patentes y aplicaciones de patentes:

Gran Bretaña GB 2402206, GB 2460259, GB 2460453, GB 2418014, GB 2465738, GB 2449925, GB 2465537, GB 2455277, GB1020534.2, GB1020537.5, GB1110987.3

Estados Unidos US 7967690, US 2010299980, US 2011062250, US 2008028648, US 13/167,042

Rusia RU2008140317

Europea EP 2029941, EP 2201301, EP 2315976, EP 1787063, EP07723217.1, EP11170434.2, EP 11170435.9

China CN 101883953, CN 200980128666.2, CN 101057105, CN 101438104

Australia AU 2009248743, AU 2007224634

Canadá CA 2725214, CA 2579444, CA 2645939

Solicitud de patente internacional WO 2006027272

Sudáfrica ZA 200808702

México MX 2008011712

Corea KR 20080113235

Japón JP 2009529649

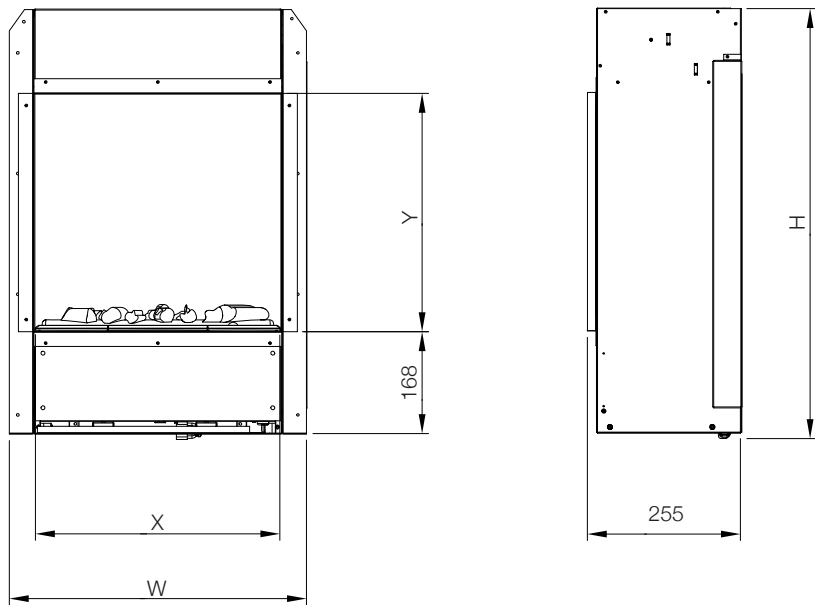
Brasil BR P10708894-9

India IN 4122/KOLNP/2008

Nueva Zelanda NZ 571900

Solución de problemas		
Síntoma	Causa	Acción correctiva
El efecto de llama no se iniciará.	El enchufe de red no está enchufado. Nivel de agua bajo. El conector de bajo voltaje no está bien conectado. (Fig. 5) La unidad transductora no se encuentra correctamente instalada en el sumidero.	Compruebe que el enchufe esté conectado correctamente a la toma de pared. Verifique que el tanque de agua esté lleno y que haya agua en el sumidero. Verifique que el conector esté insertado correctamente. (Fig. 5) Asegúrese de que el transductor esté bien asentado en el hueco moldeado del sumidero.
El efecto de la llama es muy bajo.	El efecto de llama está ajustado a un nivel muy bajo. (Fig.10) El disco metálico del transductor puede estar sucio (fig.14). El cable de la unidad del transductor está colocado sobre el disco de metal.	Aumente el nivel de llama utilizando el control remoto (consulte la sección Uso del producto). Limpie el disco de metal con un cepillo suave suministrado. (Fig.14) Consulte "Mantenimiento" para ver un procedimiento paso a paso. Dirija el cable a la parte posterior del sumidero y asegúrese de que esté bien encajado en la ranura lateral que sale del sumidero.
Hay un olor desagradable cuando se utiliza la unidad.	Agua sucia o rancia. Se ha usado agua del grifo sin filtrar.	Limpie la unidad como se describe en Mantenimiento. Use solo agua del grifo filtrada.
El efecto de la llama tiene demasiado humo.	La configuración del efecto de la llama es demasiado alta.	Gire el mando de control del efecto llama "D" hacia la derecha, aproximadamente ¼ de vuelta cada vez. Deje pasar algo de tiempo para que el generador de llama se ajuste a su nuevo valor. (Fig.10)
Las bombillas principales no funcionan y no hay llamas ni humo.	No hay agua en el tanque de agua.	Sigue las instrucciones de Mantenimiento, "Llenar el tanque de agua". Compruebe que el enchufe esté conectado correctamente a la toma de corriente y que el interruptor 'A' de la Fig. 10 esté en la posición 'ON' (I).

Fig. 1



MODEL	'H'	'W'	'X'	'Y'
ENG56-400	700mm	490mm	413mm	395mm
ENG68-400	823mm	490mm	413mm	517mm
ENG56-600	700mm	646mm	569mm	395mm

Fig. 2

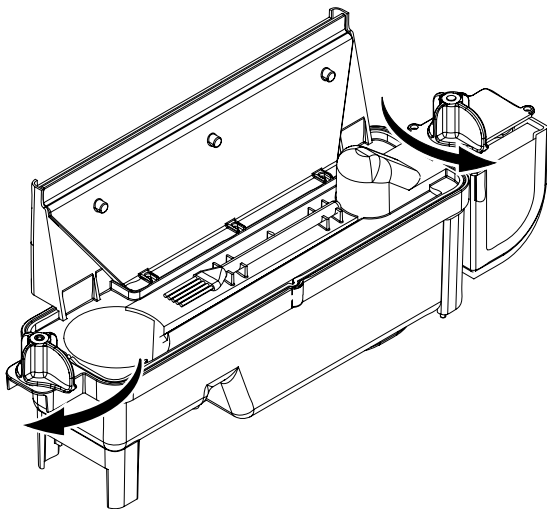


Fig. 3

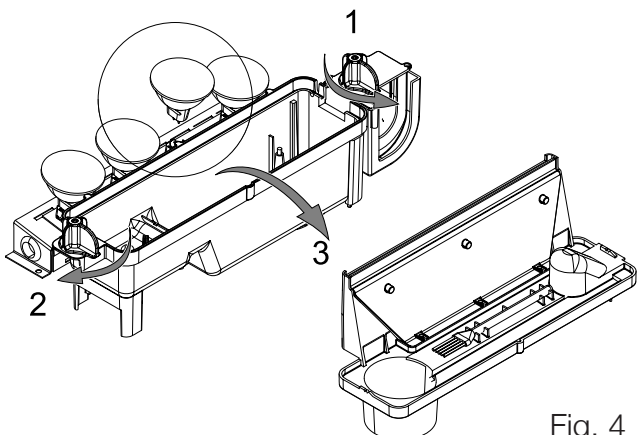
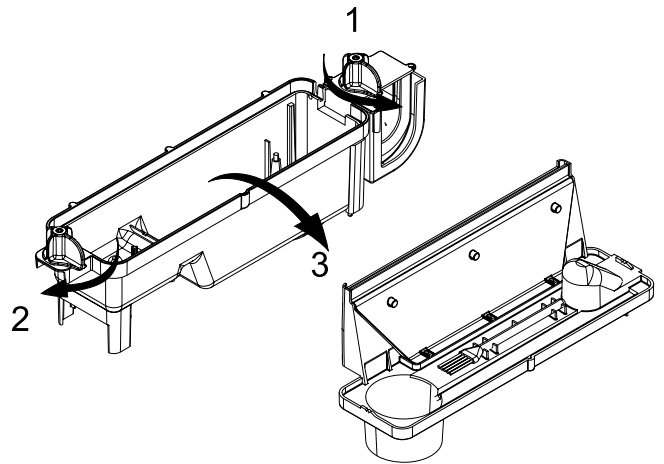


Fig. 4

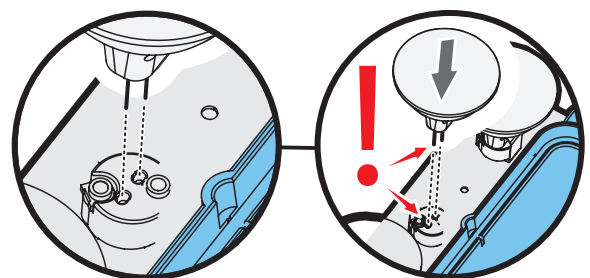


Fig. 4a

Fig. 5

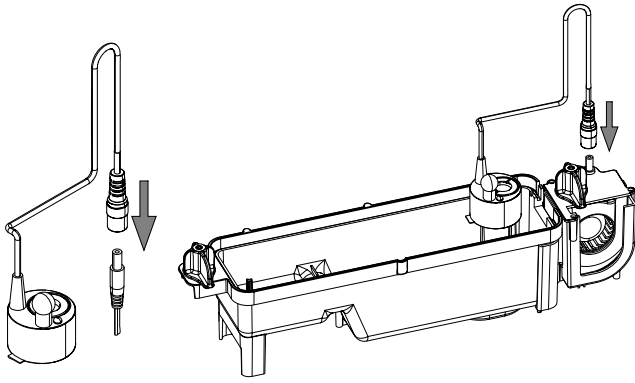


Fig. 5a

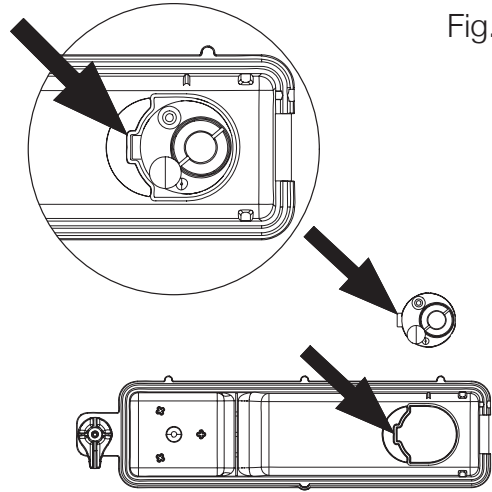


Fig. 5b

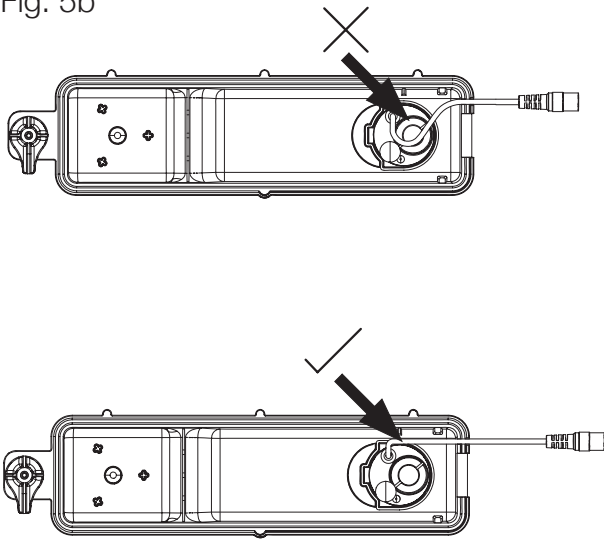


Fig. 6

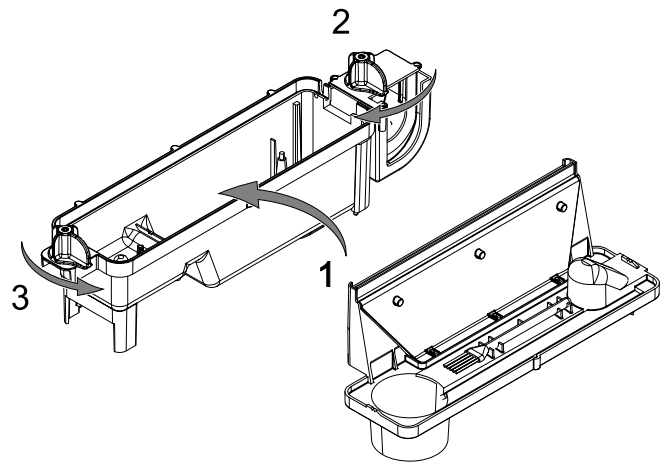


Fig. 7

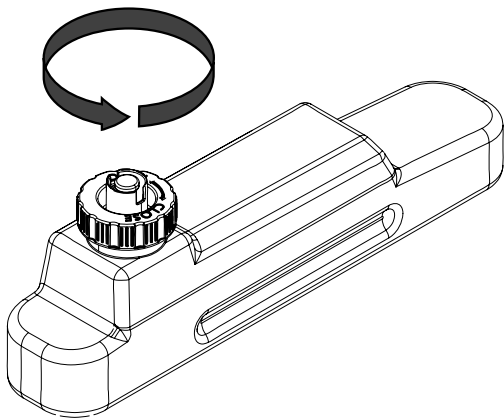


Fig. 8

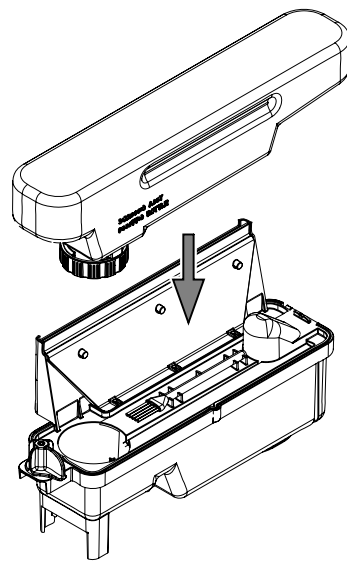


Fig. 9

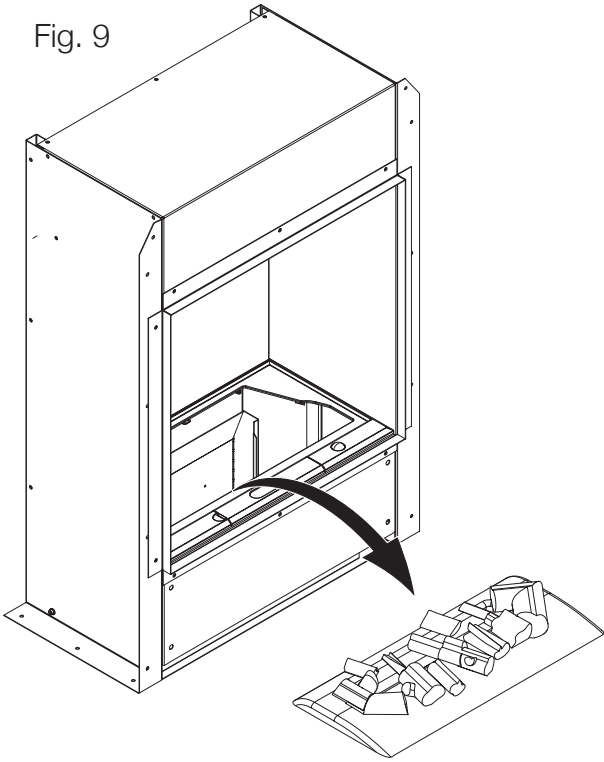


Fig. 10

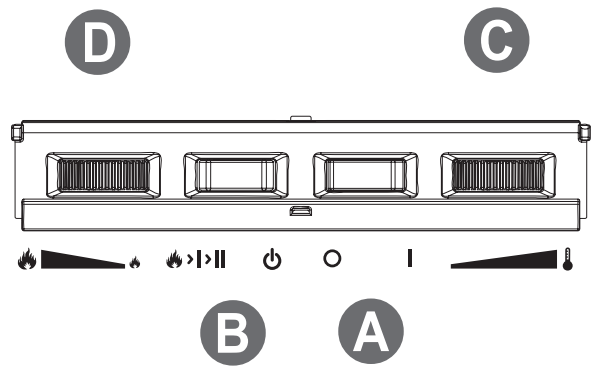


Fig. 11

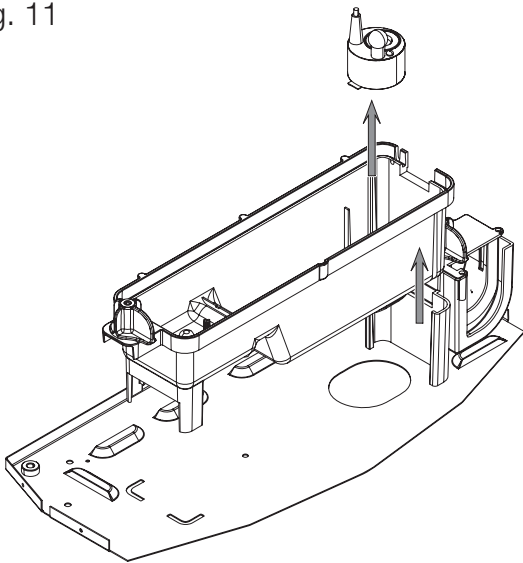


Fig. 12

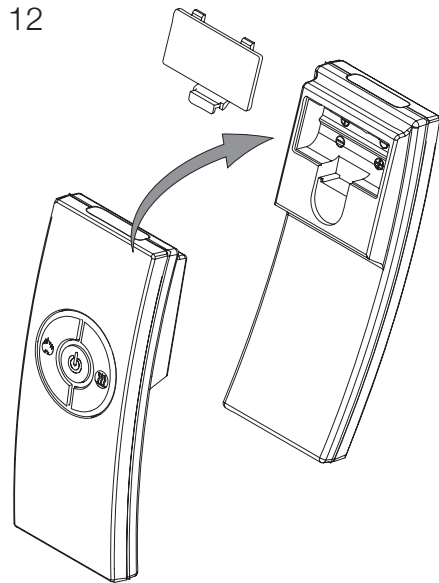


Fig. 13

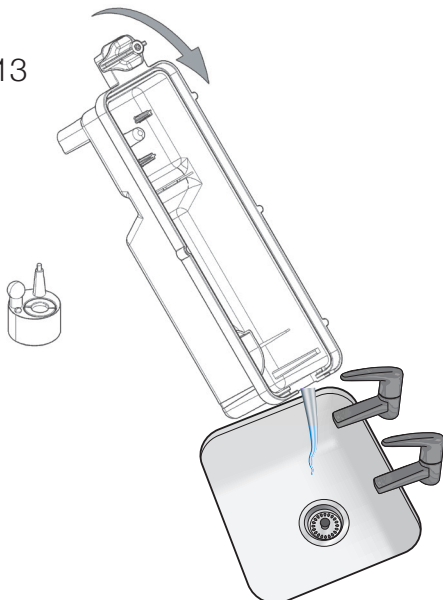


Fig. 14

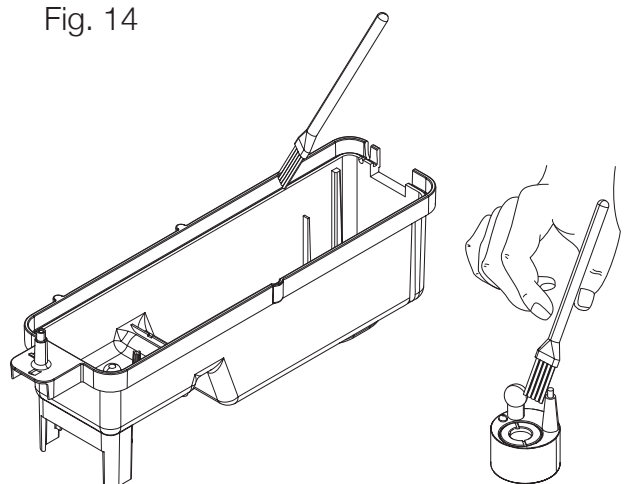


Fig. 15

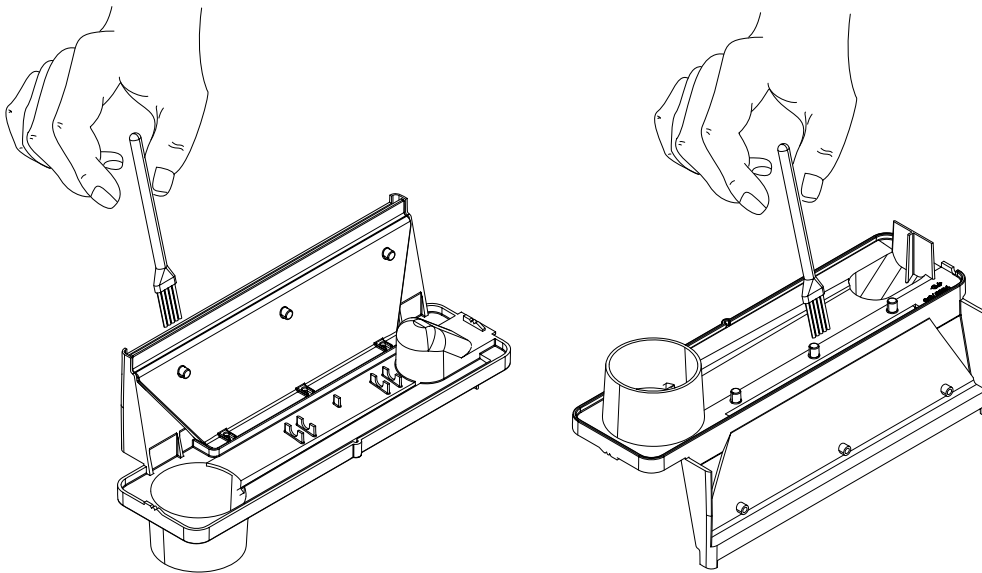


Fig. 16

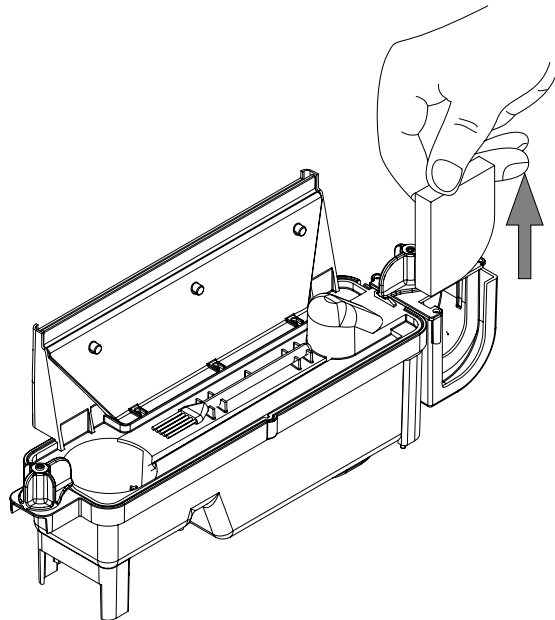
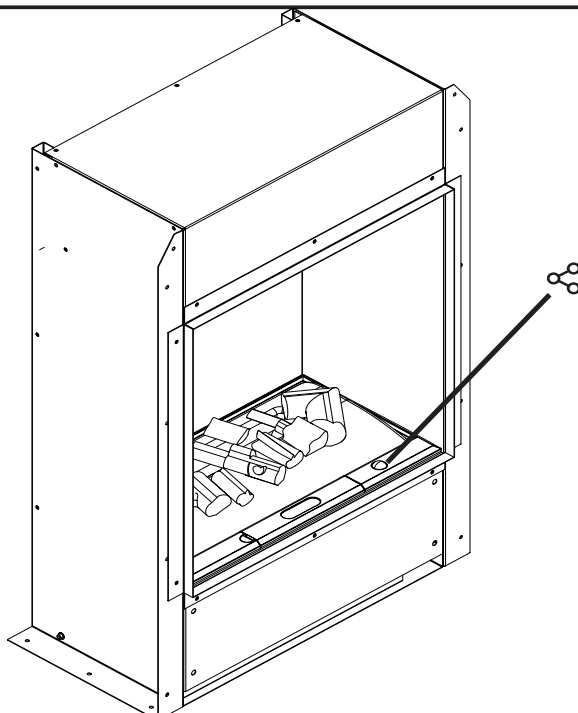


Fig. 17



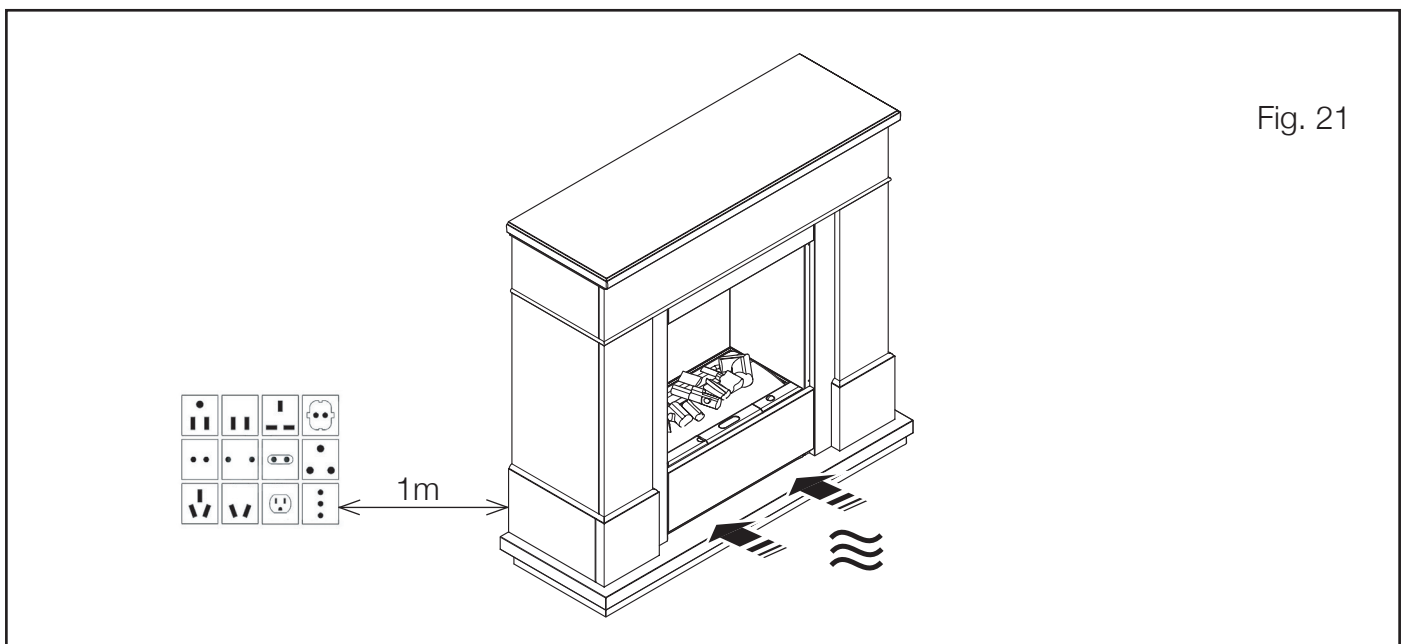
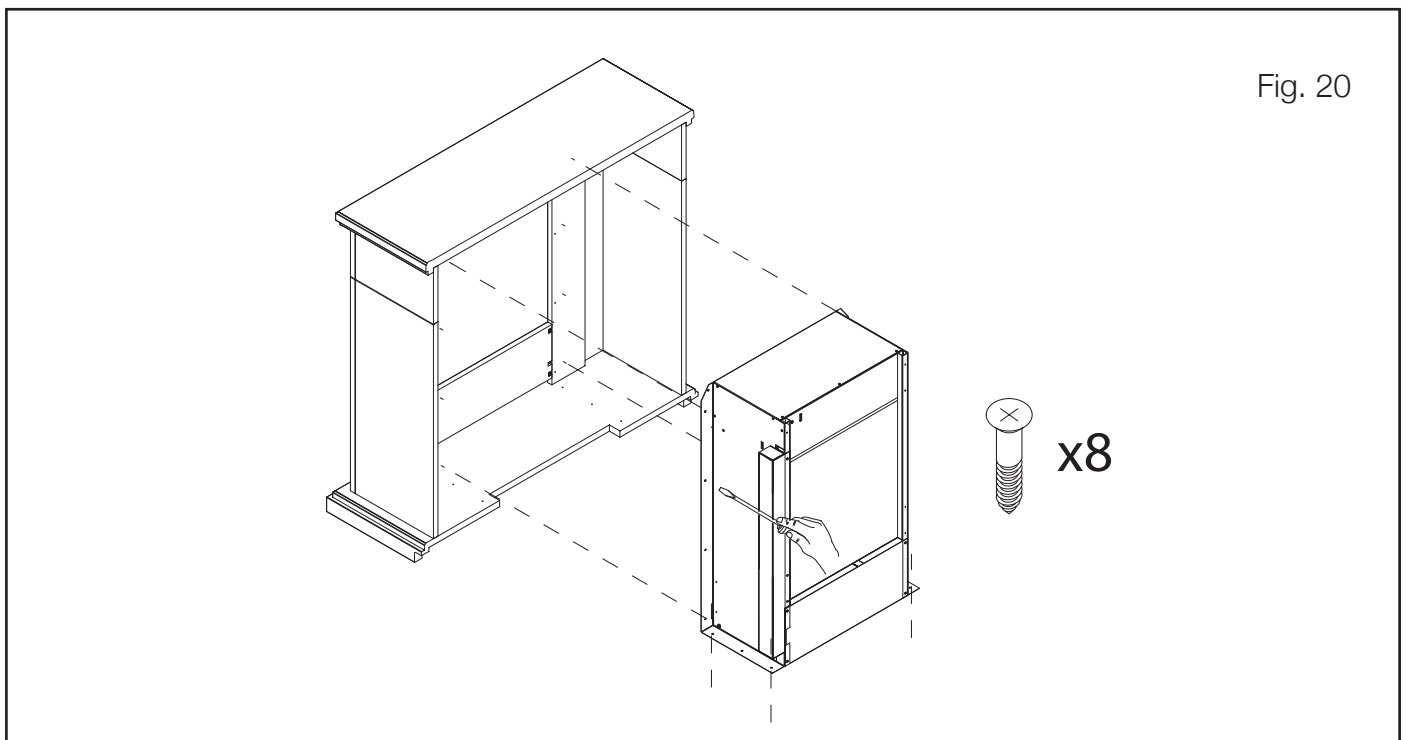
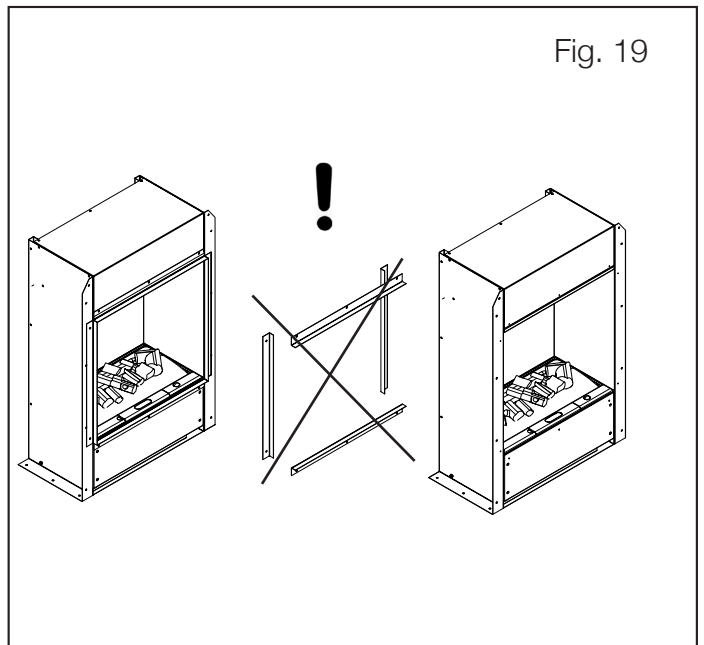
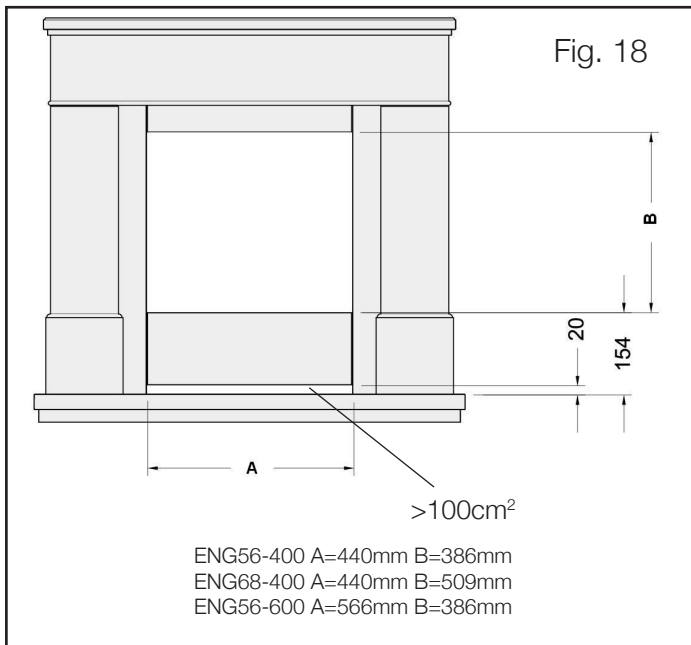


Fig. 22

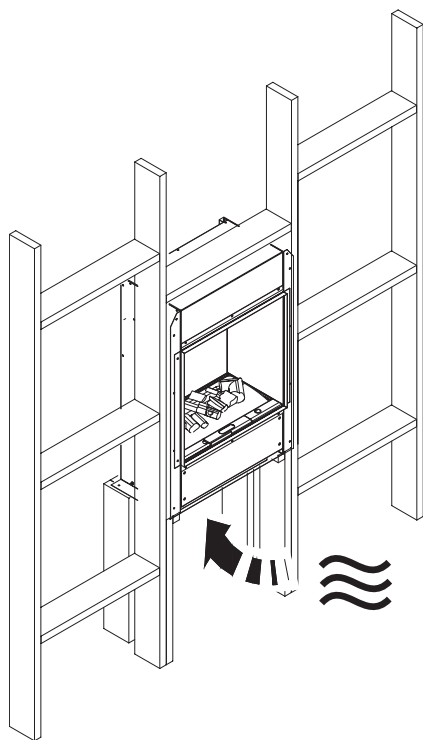
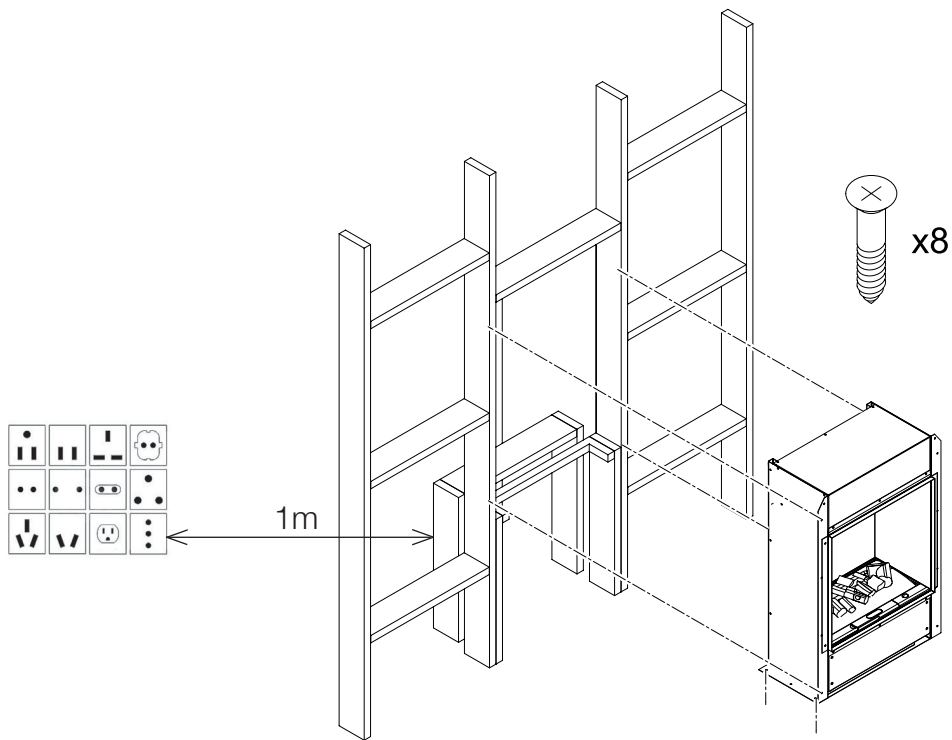


Fig. 22

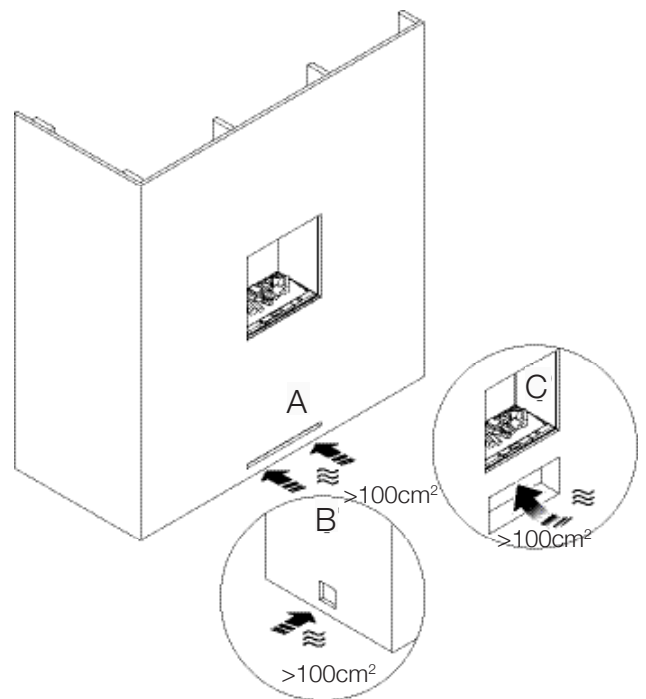


Fig. 23